

Important Warranty Information

Your product has had a long and adventurous journey. The packaging may look like suffering from a little travel sickness, but your product should still be in perfect condition and ready to enjoy.



Mighty Ape NZ

www.mightyape.co.nz

We recommend that you keep your original product packaging if possible because, in the unlikely event that you require a warranty repair, this will make it easier for the product to be sent back to Mighty Ape.

For more information, please contact Mighty Ape Customer service team.



Instructions of Safety and Warnings:

- Any failure to comply with the safety and installation instructions in this manual may cause serious bodily injury.
- Overlooking any part of the instructions, warnings and additional information marked with the "Note" and "⚠" may result in serious damage to the system or its components.
- Children should never be allowed to operate or touch the product without direct supervision of an adult. Users should prevent children from being near or around the desk during operation.
- Disabilities and/or lack of experience and knowledge should be prevented from using the product unless under supervision or assisted during use and operation.
- Never sit on or exceed the rated weight of the desk.

⚠ Electrical Safety Instructions:

The product is powered by electricity. In order to avoid burns, fire and electric shock, please read the instructions carefully.

Don't clean the product with water while the power is still connected.

Never operate the system if it's in moist environment or its electrical components have contact with liquids.

Don't disassemble or replace components while the power is still connected.

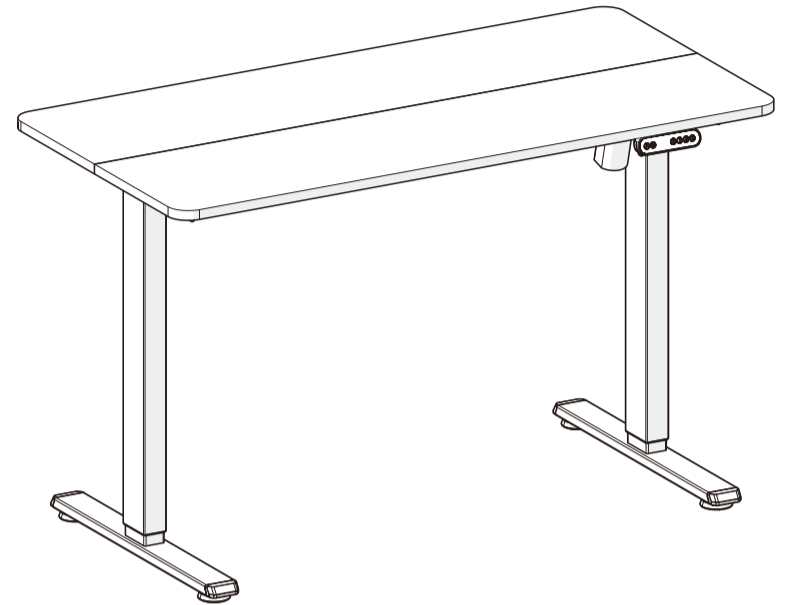
Don't operate the system if the control box makes noise or odor. Alterations of the given power unit and control box aren't allowed.

Never operate the system with a damaged cord or plug. Please contact your point of purchase to replace the damaged parts.

⚠ Other Safety Instructions:

- Remove any obstacles from the area around the desk during assembly and subsequent use.
- Organize all cords and wires to prevent any possible tripping or accidents from occurring.
- Never attempt to modify or change the desk frame or components that operate the desk.
- Don't add anything to the adjustable junctions of the desk frame.
- The desk is rated for Indoor Use Only.

Disposal: The product with this mark indicates that this product shouldn't be disposed with other household wastes throughout the EU. To prevent possible harm to the environment or human health from uncontrolled waste disposal, recycle it responsibly to promote the sustainable reuse of material resources. To return your used device, please use the local recycle service or contact your point of purchase to withdraw the product.

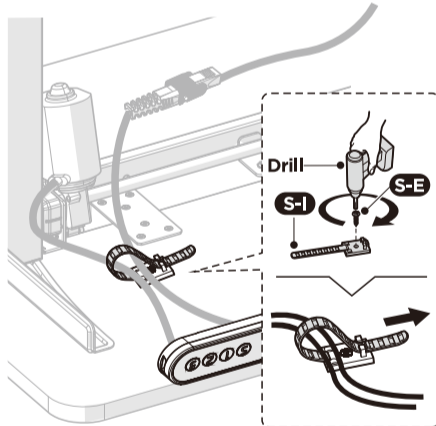


GORILLA OFFICE: 2-STAGE MOTORISED HEIGHT ADJUSTABLE DESK

LMGO-HADESK-BLACK-1200/600 GO-HADESK-WHITE-1200/600
LMGO-HADESK-B-B1400/700 LMGO-HADESK-B-O1400/700
GO-HADESK-WHITE-1400/700

9. Cable Management

- Run the cables through the **Cable Clips (S-I)** and attach the **Cable Clips** to the desktop with **2 ST3.5x12 Screws (S-E)** to ensure clean and neat surface.



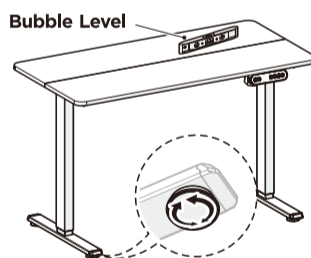
10. Adjusting the Desk

- Turn over the desk with the help of another person.
- There are two adjustable foot pads under each foot. If the floor isn't even, simply turn the pad to adjust the level to make the desk stable.

Tip: Use a bubble level (not included) to check if the desktop is even.

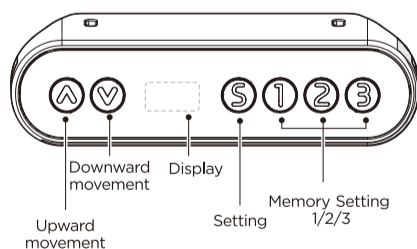
- Connect the desk to power. Keep holding the press on the controller to adjust the desk to desired height.

⚠ CAUTION: At least two people are required when turning over the desk, otherwise serious bodily injuries might occur.



Control Panel For Electric Height Adjustable Desk

User Guide



Operation Instruction:

1. System Resetting

When there occurs an error or the display shows "Rst", keep pressing the "∨" button for 5 seconds after the motor stops running. You will hear a beep sound when the process is completed. The process may fail if release the "∨" button halfway.

2. "∧" Upward Movement and "∨" Downward Movement

Press the "∧" or "∨" and do not release until the desk reaches the desired height.

3. Memory Setting

To store a certain height, first press "S" and it will display "S-". Press "1", "2" or "3" to store the current height in the setting. Once it is completed, you can have the desk move to the corresponding height by pressing "1", "2" or "3". Pressing any button will stop the automatic adjustment.

4. Maximum Height Limit Setting

- To save the current height as the maximum height limit, keep pressing "S" and "∧" for 5 seconds till you hear a beep sound, the maximum height limit is saved.
- To change the maximum height limit, adjust the desk to move to the current maximum height first, keep pressing "S" and "∧" for 5 seconds till you hear a beep sound, the maximum height limit is deleted.

5. Minimum Height Limit Setting

- To save the current height as the minimum height limit, keep pressing "S" and "∨" for 5 seconds till you hear a beep sound, the minimum height limit is saved.
- To change the minimum height limit, adjust the desk to move to the current minimum height first, keep pressing "S" and "∨" for 5 seconds till you hear a beep sound, the minimum height limit is deleted.

6. Lock and Unlock Functions

- To lock the controller, keep pressing "∧" and "∨" for 5 seconds till the controller displays "Loc" and a beep sound.
- To unlock the controller, keep pressing "∧" and "∨" for 5 seconds till the controller displays the current height and a beep sound.

7. Factory Setting

When the controller is re-installed or restore to factory settings, keep pressing "S", "2" and "3" for 5 seconds till a beep sound.

8. Timer Setting

- Press the "1" and "3" buttons, and the controller will display "x.xh", then press the "∧" or "∨" to set up the timer (each press leads to an 0.5 hour increment). The system will exit automatically in 2 seconds after the timer saved.
- The indicator light will be flashing on the display during timer mode. The unit emits 5 beeps when the time is up.

9. Parameter Settings

Keep pressing "S" for 5 seconds to enter the parameter setting page. The display shows "S-x" ("x" stands for the parameter). Press "S" to switch the parameters, press "∧" or "∨" to change the setting. Press "S" again to exit after completing setting.

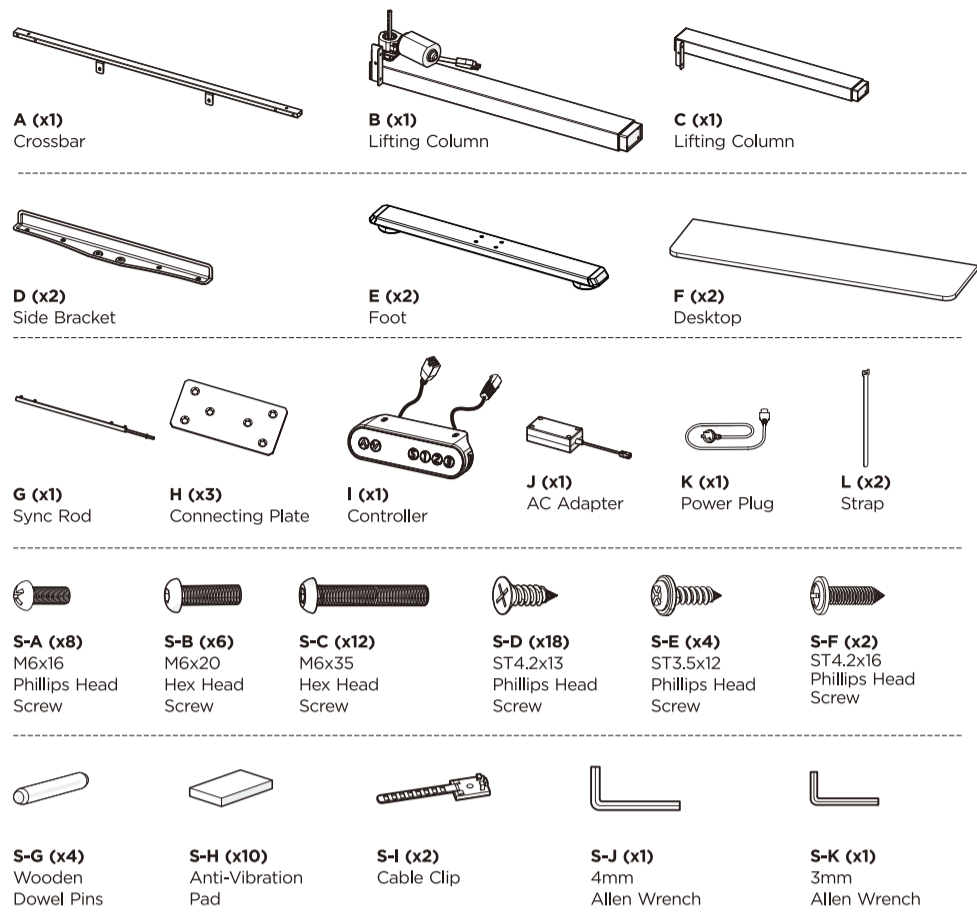
Parameters: S-x	Instruction
S-1	Height Distance: 0 - CM, 1 - INCH.
S-2	No Gyro-Current Collision Avoidance System, the default setting is 0.
S-3	Anti-Collision Sensitivity(Upward Movement), the sensitivity setting: 0-8, 0 - off, 8 - the highest.
S-4	Anti-Collision Sensitivity(Downward Movement), the sensitivity setting: 0-8, 0 - off, 8 - the highest.
S-5	Installation Distance: CM.
S-6	0- keep pressing to operate the desk moving to the stored height, 1- press to operate the desk moving to the stored height.
S-7	0 - HOT protection if off, 1- HOT protection is on.

10. Troubleshooting Guide

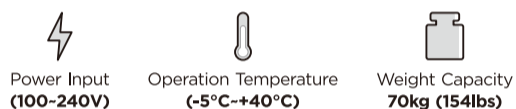
Error No.	Solution
E1	The main power supply voltage is too high. Check the main power.
E2	The columns don't go together. Reset the system.
E3	The control panel is disconnected. Check the connection.
E4	The control panel connection error has occurred. Check the connection.
E5	Collision avoidance system has activated. Remove all the objects within the range of motion.
E6	Electrical problem has occurred. Check the power connection, change the main power if need.
E7	Electrical problem has occurred. Plug out the power and re-plug.
Hot	System overheating. Stop operating and allow your desk to remain idle for some time.
E11	Motor is disconnected. Check the connection.
E12	Electrical problem has occurred. Change the control panel.
E13	Electrical problem has occurred. Check the motor cords connection.
E14	Motor Hall error. Check the Hall signal, change the cords if need.
E15	Motor short circuit error. Change the motor.
E16	Electrical problem has occurred. Reset the system.
E17	Electrical problem has occurred. Change the motor/Hall cords.
E18	Motor overload. Reduce some load.
E42	Memory sensor error. Change the control panel.
E43	Collision avoidance system error. Change the control panel.

Checklist and Installation

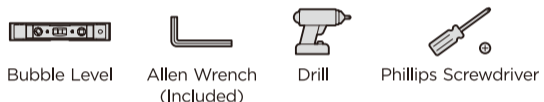
Please check all of the components shown in the component checklist. If any of the components are missing or damaged, contact your point of purchase for a replacement.



What important specifications should know before installation?

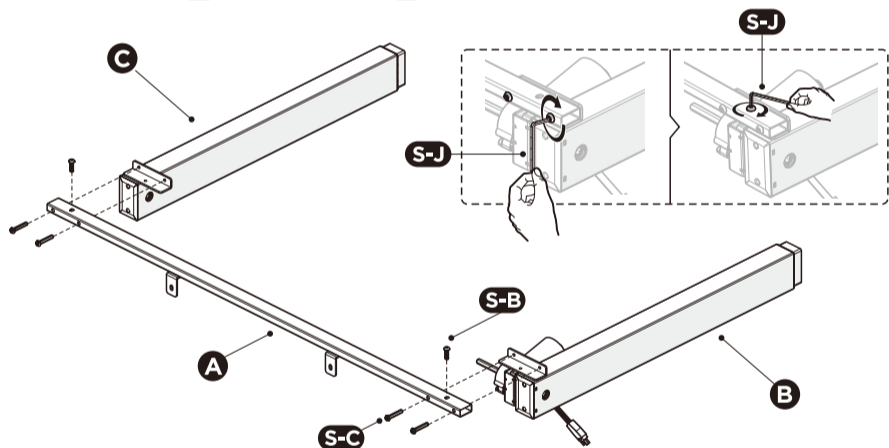


What tools are needed to assemble the desk frame?



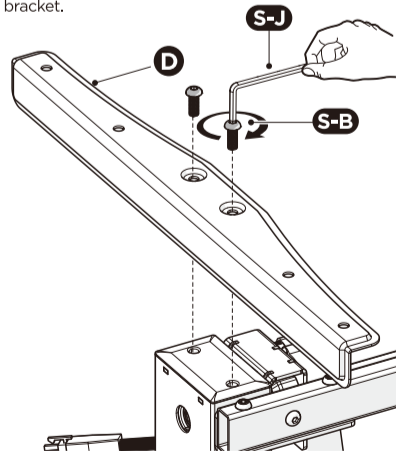
1. Attaching the Crossbar

- Attach the **Crossbar (A)** to the **Lifting Columns (B/C)** using **4 M6x35 Screws (S-C)** and **2 M6x20 Screws (S-B)** as shown in the illustration.



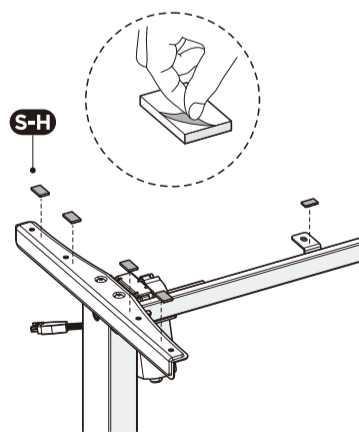
2. Attaching the Side Brackets

- Turn over the desk frame with the crossbar facing up.
- Attach each **Side Bracket (D)** to the **Lifting Column** using **2 M6x20 Screws (S-B)**.
- Repeat the same process to attach the other side bracket.



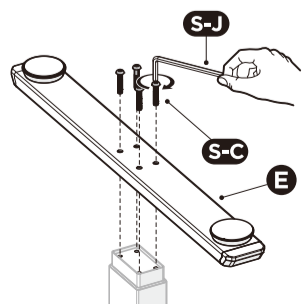
3. Attaching the Anti-Vibration Pads

- Attach the **Anti-Vibration Pads (S-H)** to the surface of the crossbar on the positions as shown.



4. Attaching the Feet

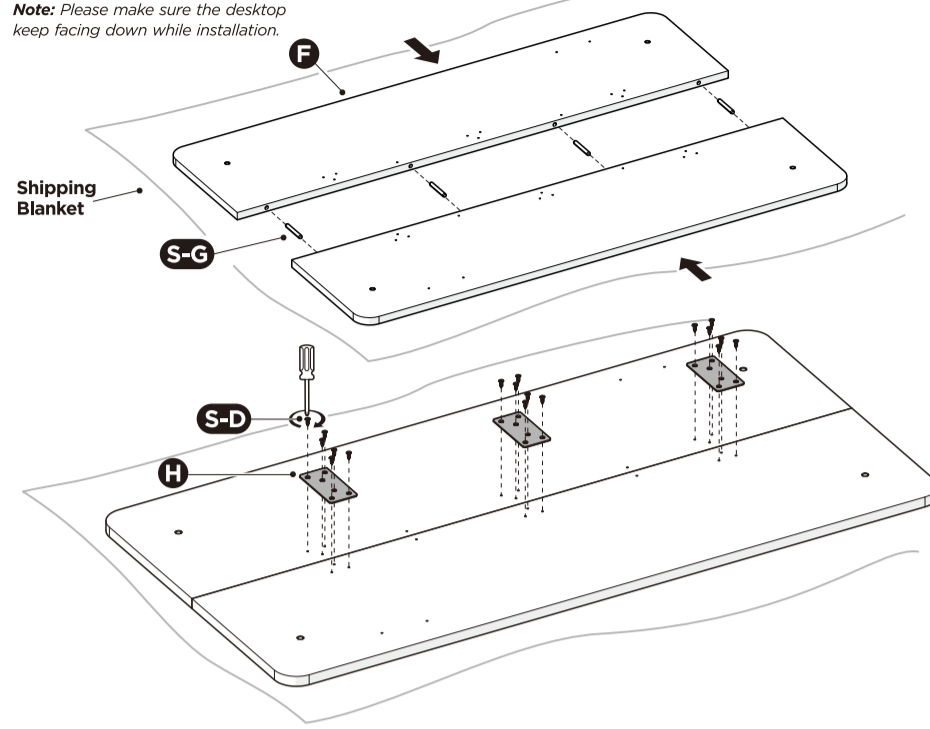
- Place the **Lifting Column (B/C)** upside down on the floor.
- Attach the **Foot (E)** to the **Lifting Column** using **4 M6x35 Screws (S-C)**.
- Repeat the same process to attach the other foot.



5. Assembling the Desktop

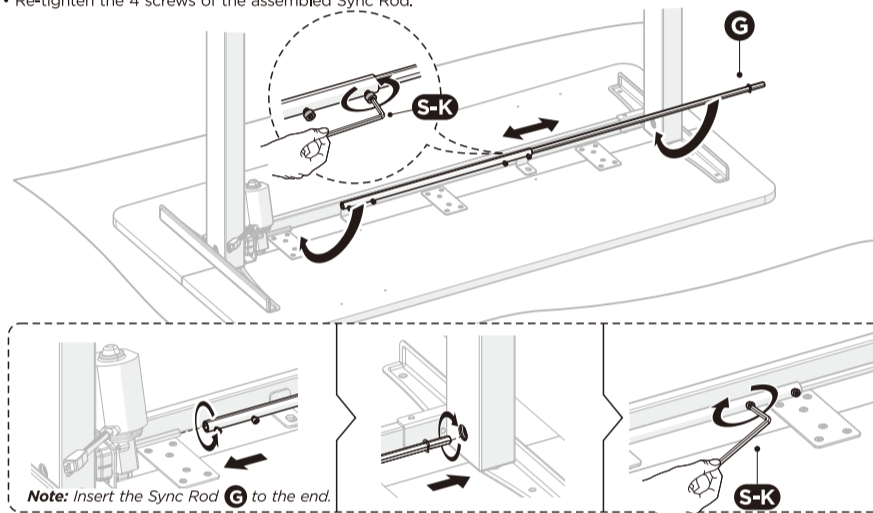
- Carefully place the disassembled **Desktop (F)** upside down on the floor as shown.
- Assemble the desktop with **4 Wooden Dowel Pins (S-G)** and **3 Connecting Plates (H)** using **18 ST4.2x13 Screws (S-D)**.

Note: Please make sure the desktop keep facing down while installation.



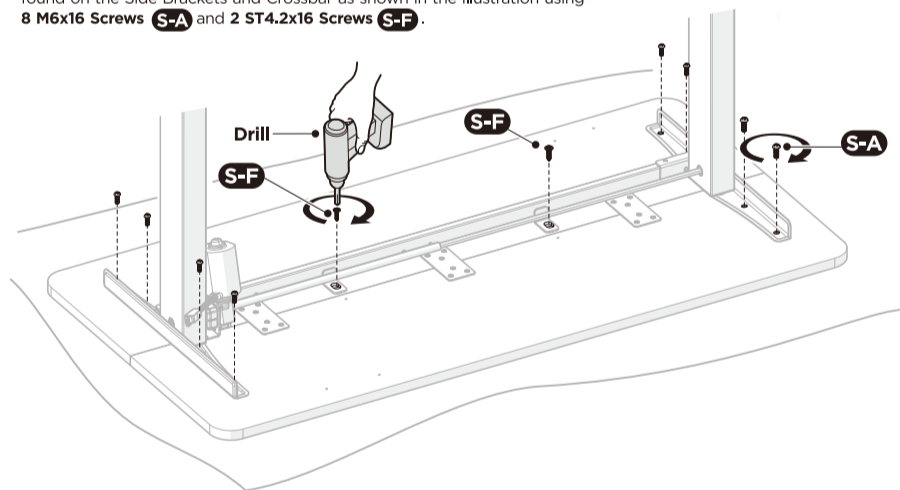
6. Attaching the Sync Rod

- Loose the 4 screws on the **Sync Rod (G)** and insert both ends of **Sync Rod** into holes found on the desk frame as shown in the illustration.
- Re-tighten the 4 screws of the assembled **Sync Rod**.



7. Drilling to the Desktop

- Attaching the assembled desk frame to the desktop through the mounting holes found on the **Side Brackets** and **Crossbar** as shown in the illustration using **8 M6x16 Screws (S-A)** and **2 ST4.2x16 Screws (S-F)**.



8. Attaching the Controller

- Connect the **Controller (I)** with the **AC Adapter (J)**.
 - Insert the **Power Plug (K)** into the **AC Adapter (J)** and secure the **AC Adapter (J)** with a **strap (L)** as shown.
 - Insert the cable from **Lifting Column (B)** into the **Controller (I)**.
- Note:**
- Do not plug into the power before the desk is fully assembled.
- Attach the **Controller (I)** to the desktop using **2 ST3.5x12 Screws (S-E)**.

