

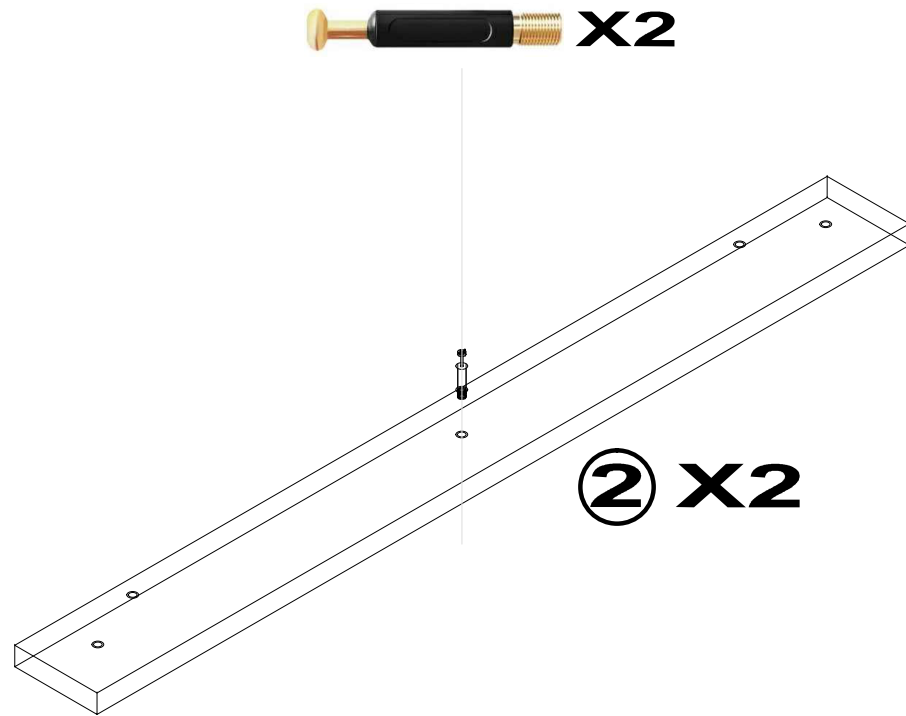
A:  X48

B:  X48

C:  X25

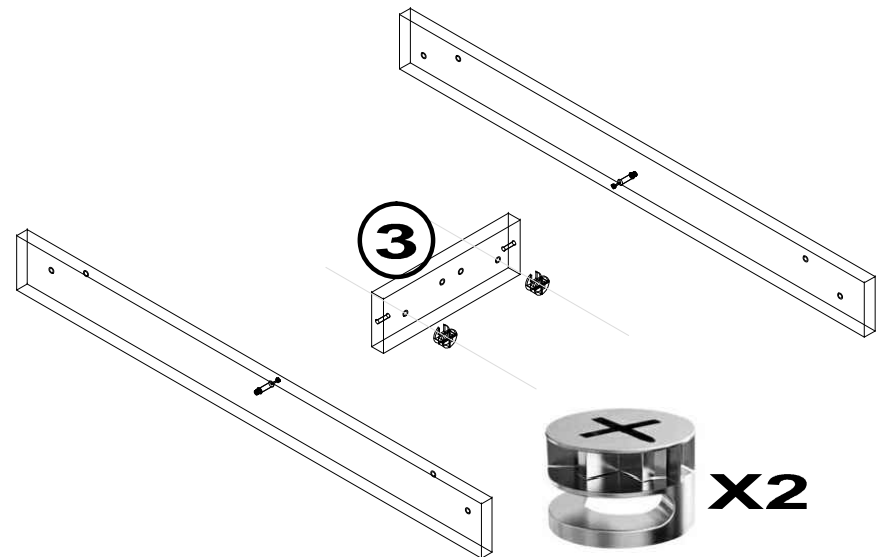
D:  X25

(1)



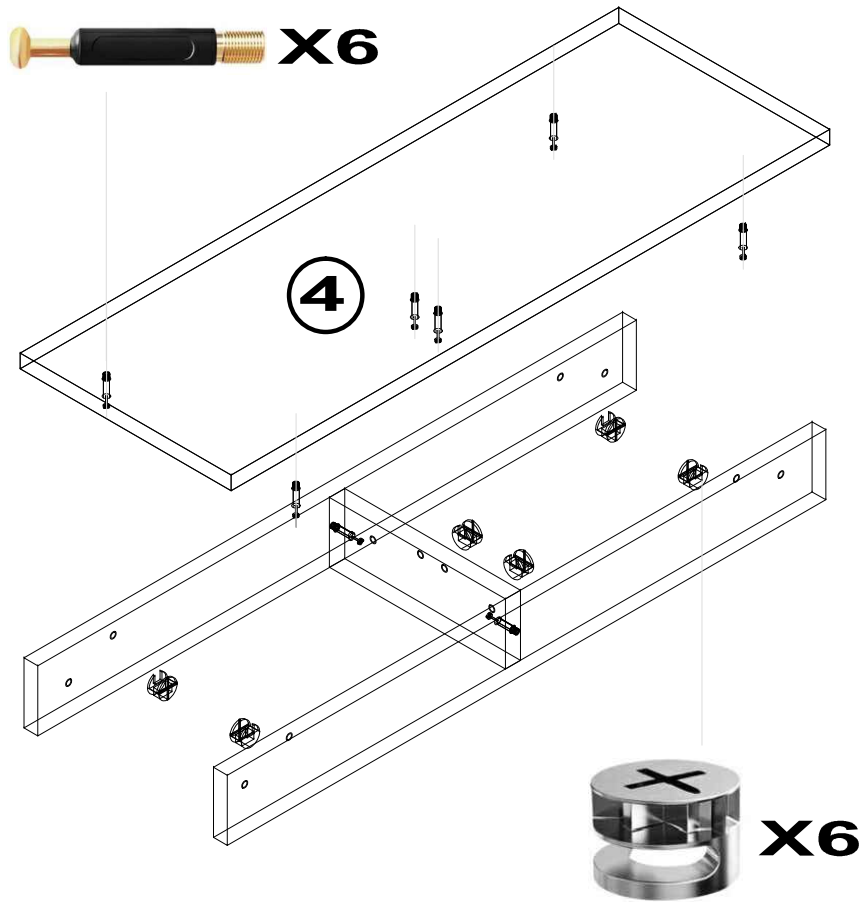
Step 1: Screw A into ②

(2)



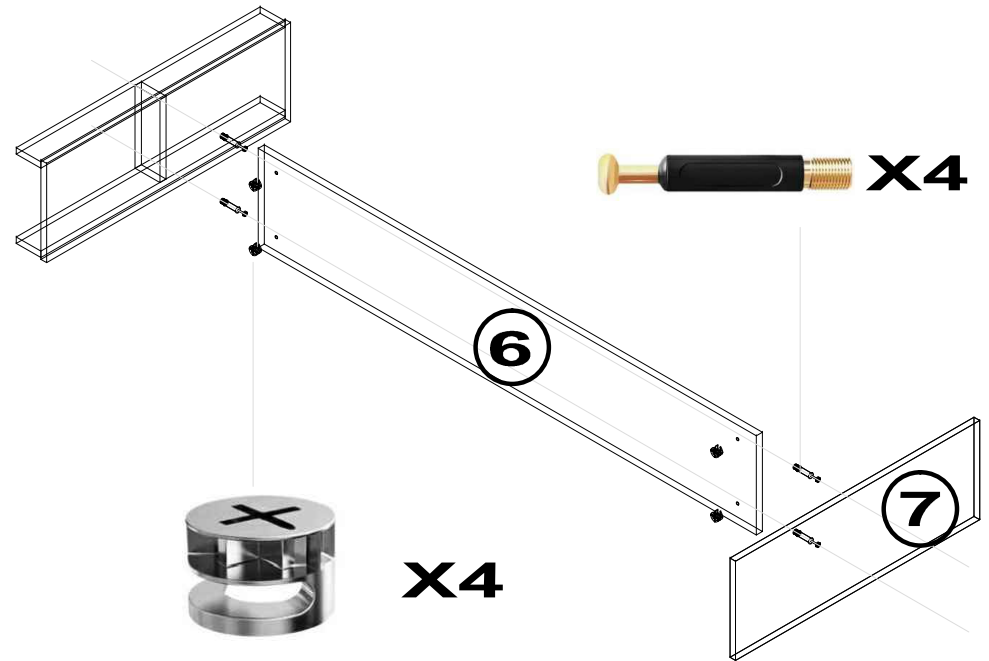
Step 2: Use B to connect ③ and ②

(3)



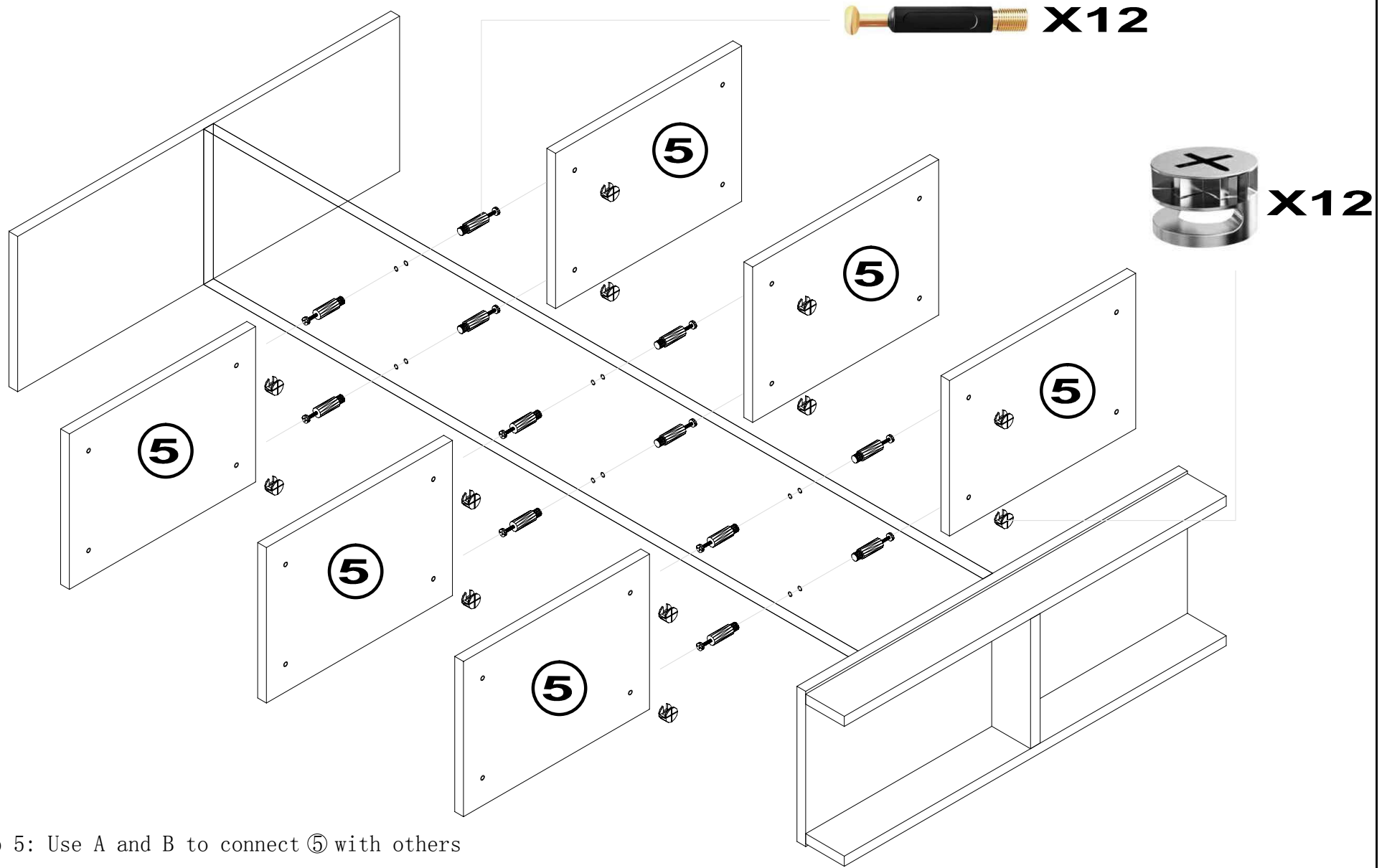
Step 3: Use A and B to connect ④ with others

(4)



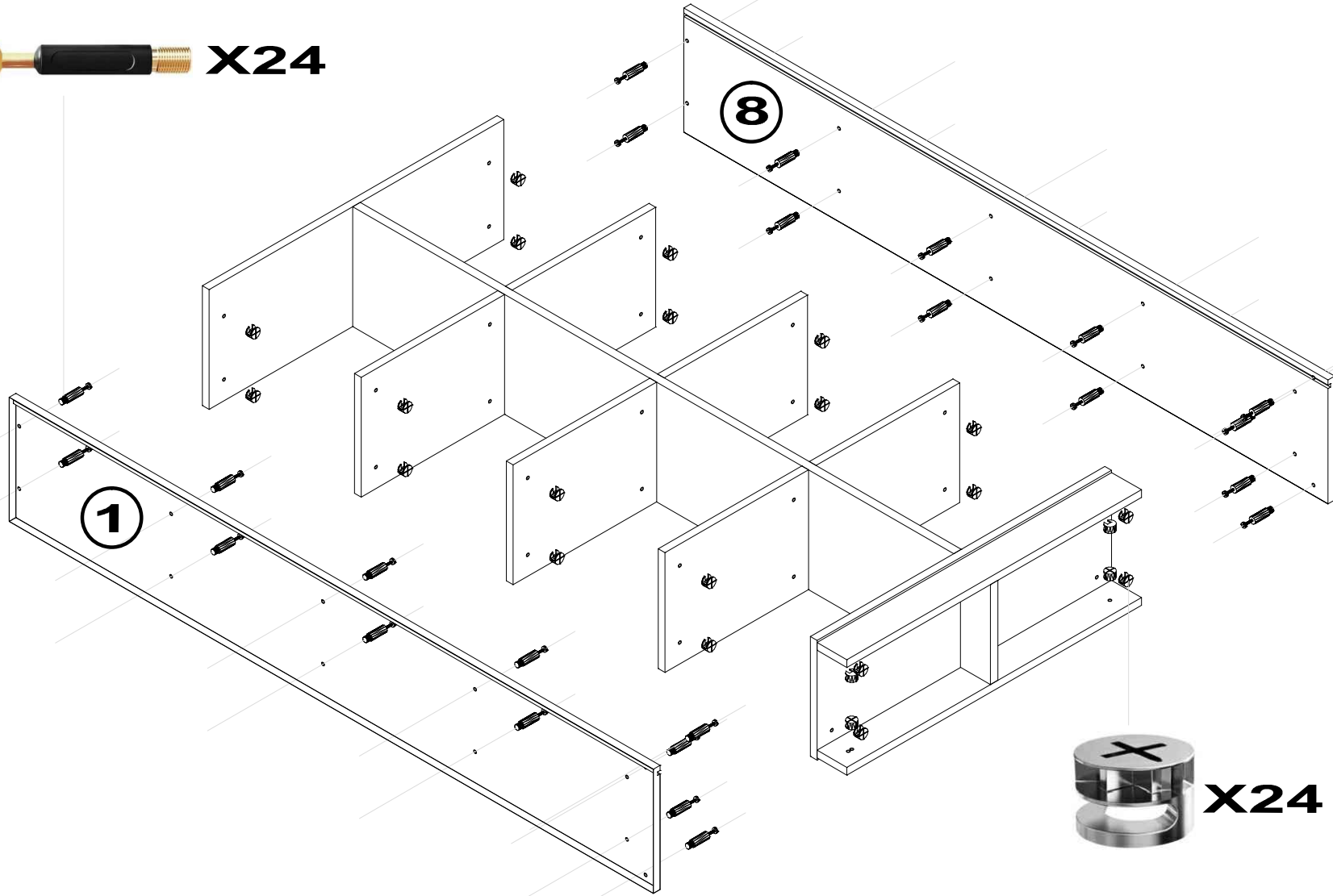
Step 4: Use A and B to connect ⑥ and ⑦

(5)



Step 5: Use A and B to connect ⑤ with others

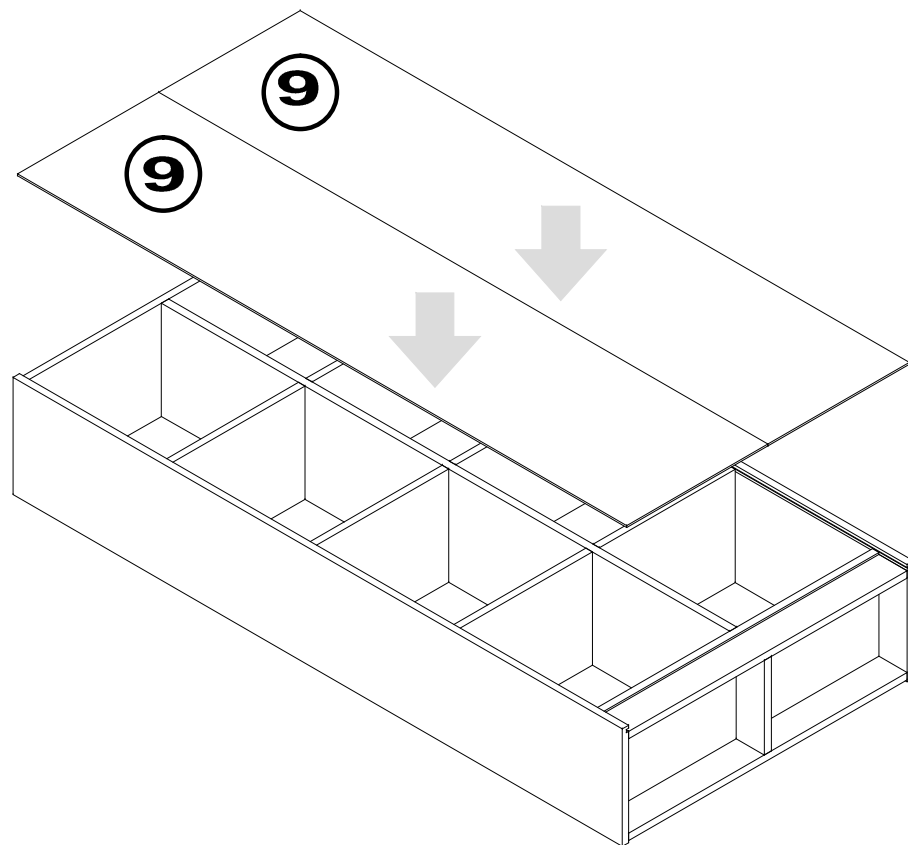
(6)



Step 6: Use A and B to connect ① and ⑧ with others

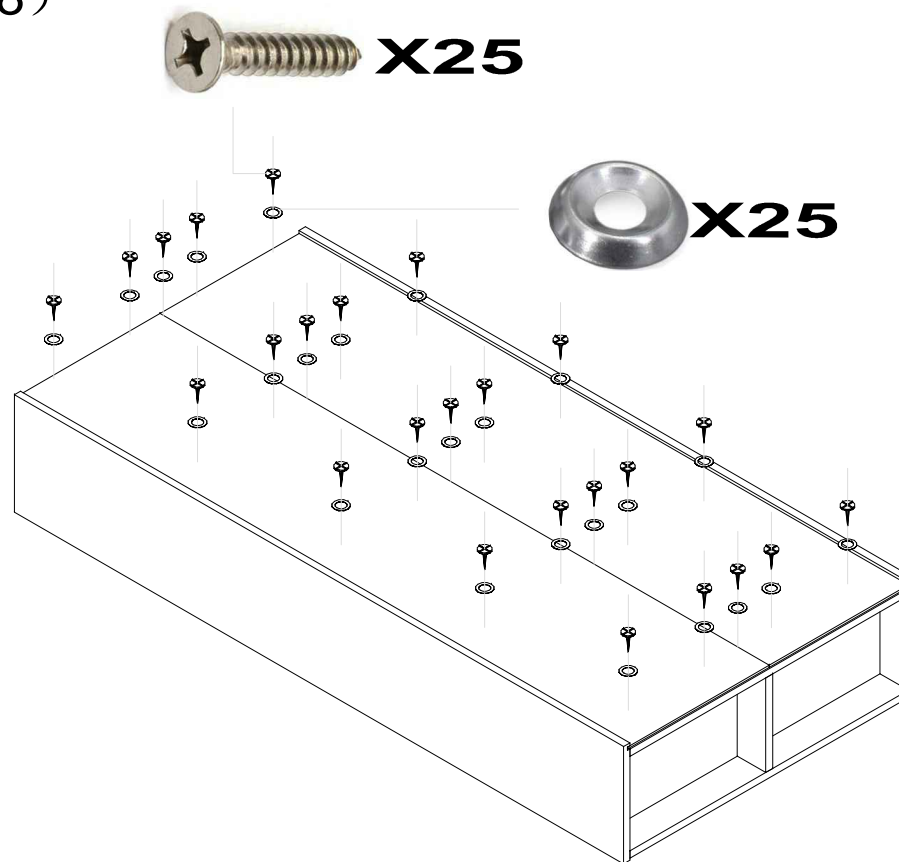
8 Cube Cubby Installation Manual

(7)



Step 7: Put the ⑨ in place

(8)



Step 8: Use C and D, fix ⑨