

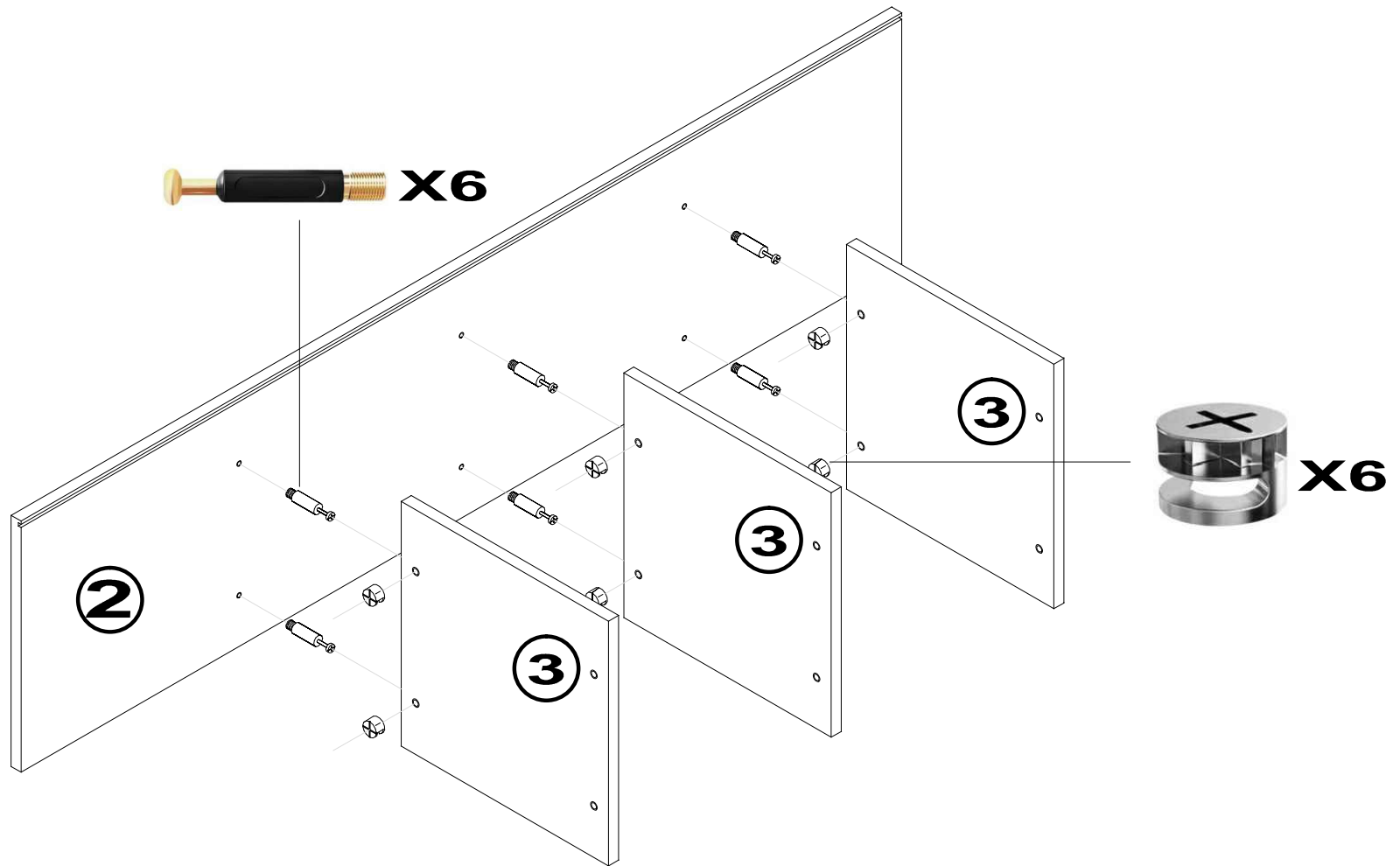
A:  X52

B:  X52

C:  X26

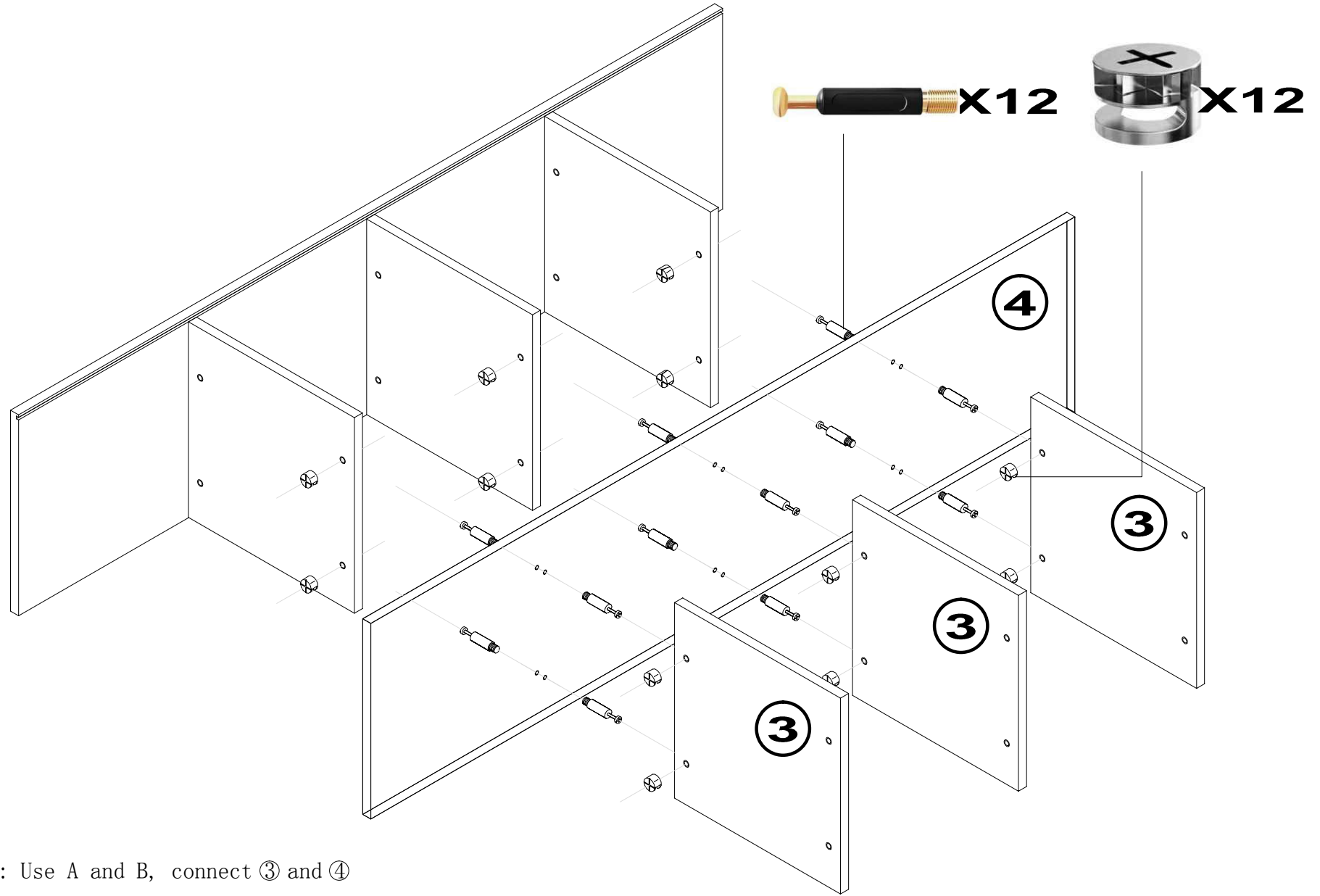
D:  X26

(1)



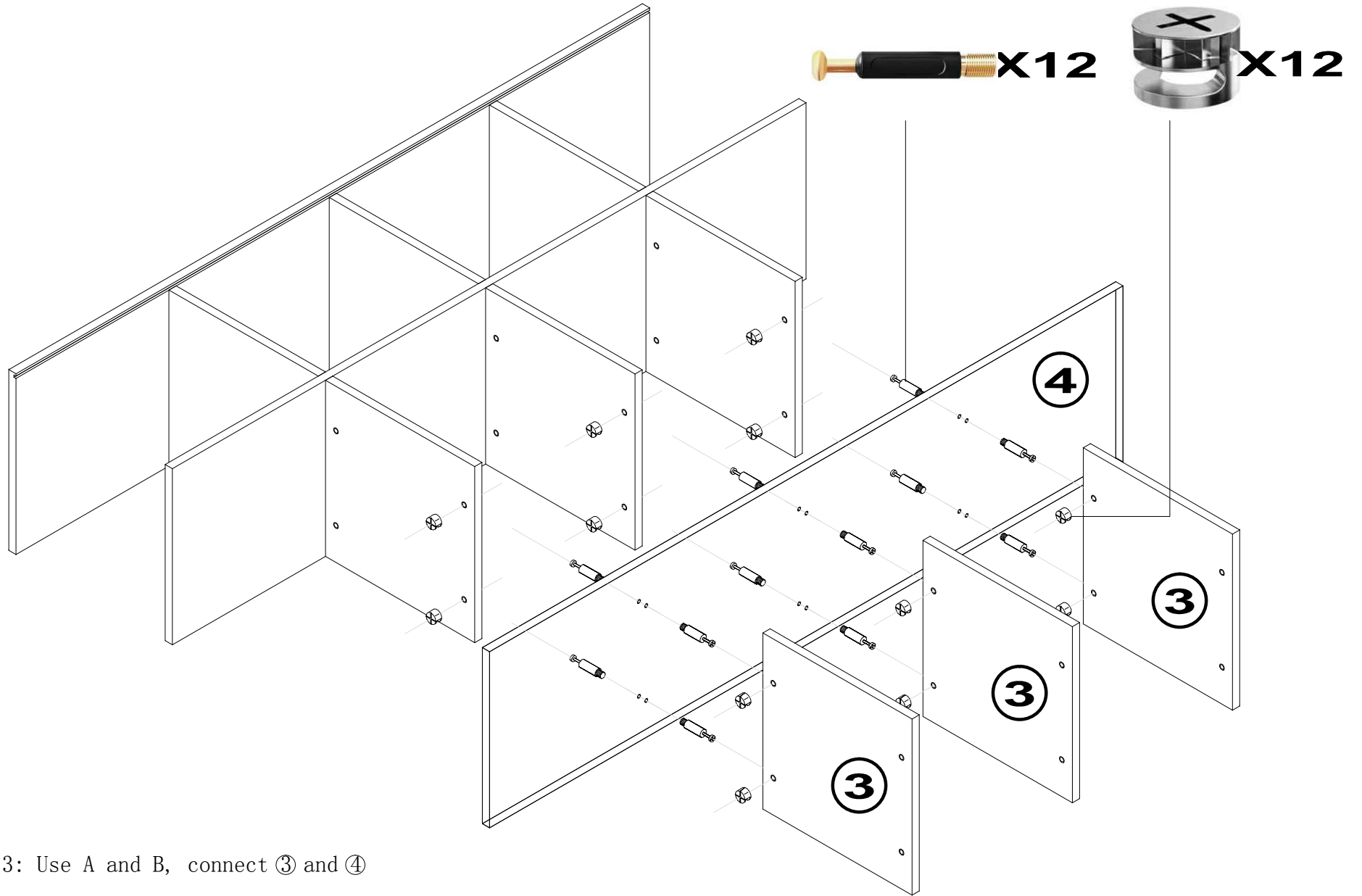
Step 1: Use A and B, connect ② and ③

(2)



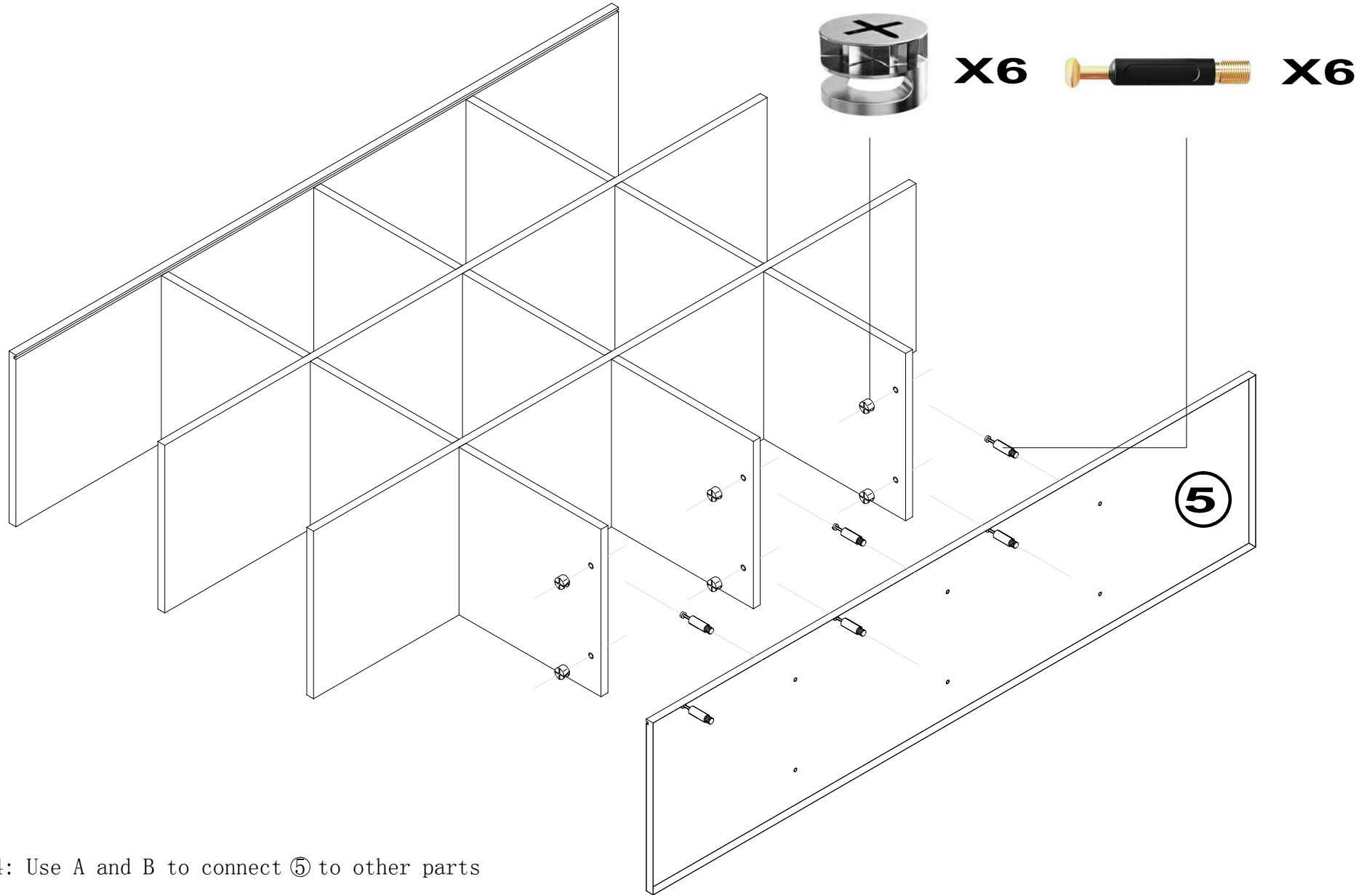
Step 2: Use A and B, connect ③ and ④

(3)



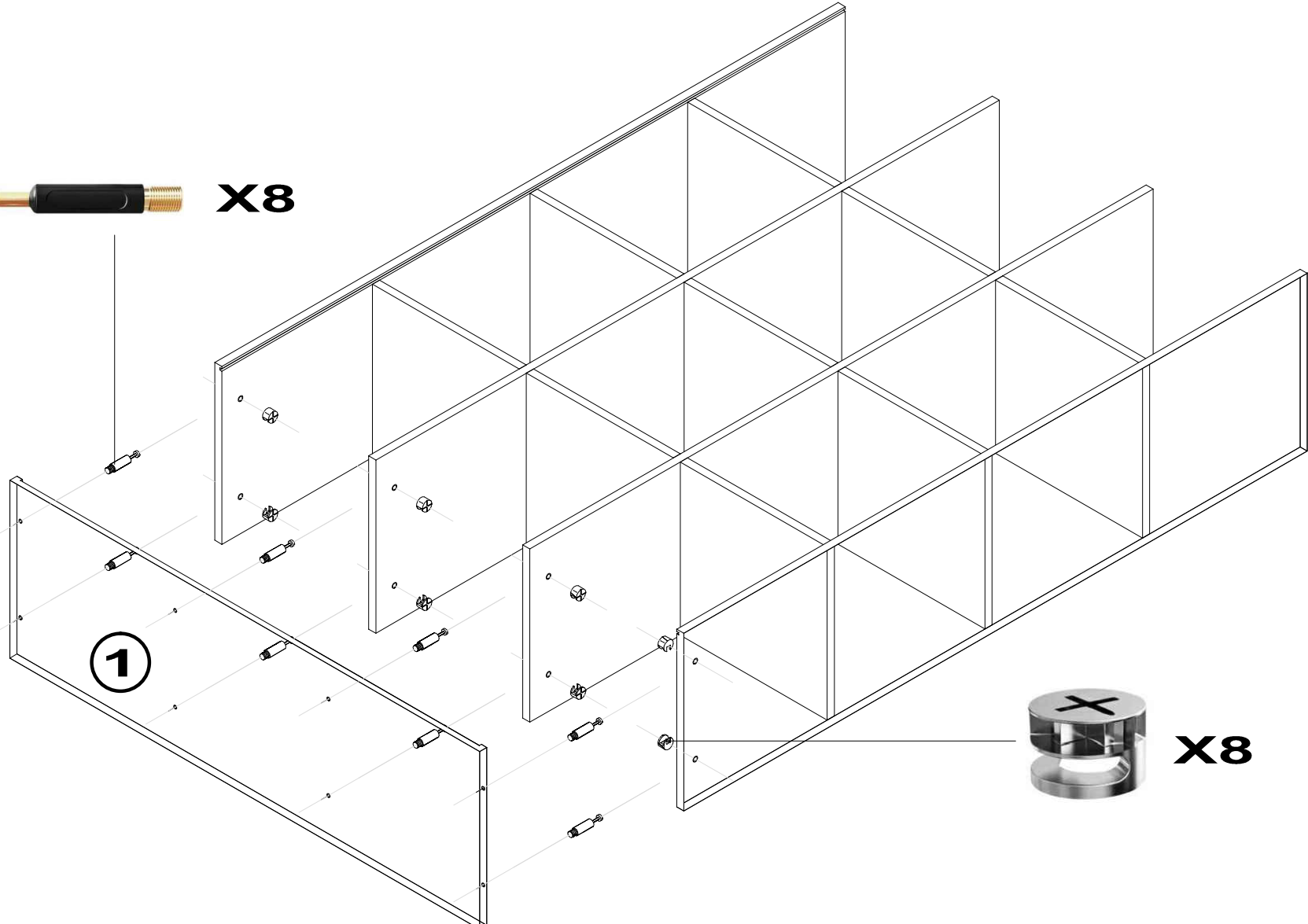
Step 3: Use A and B, connect ③ and ④

(4)



Step 4: Use A and B to connect ⑤ to other parts

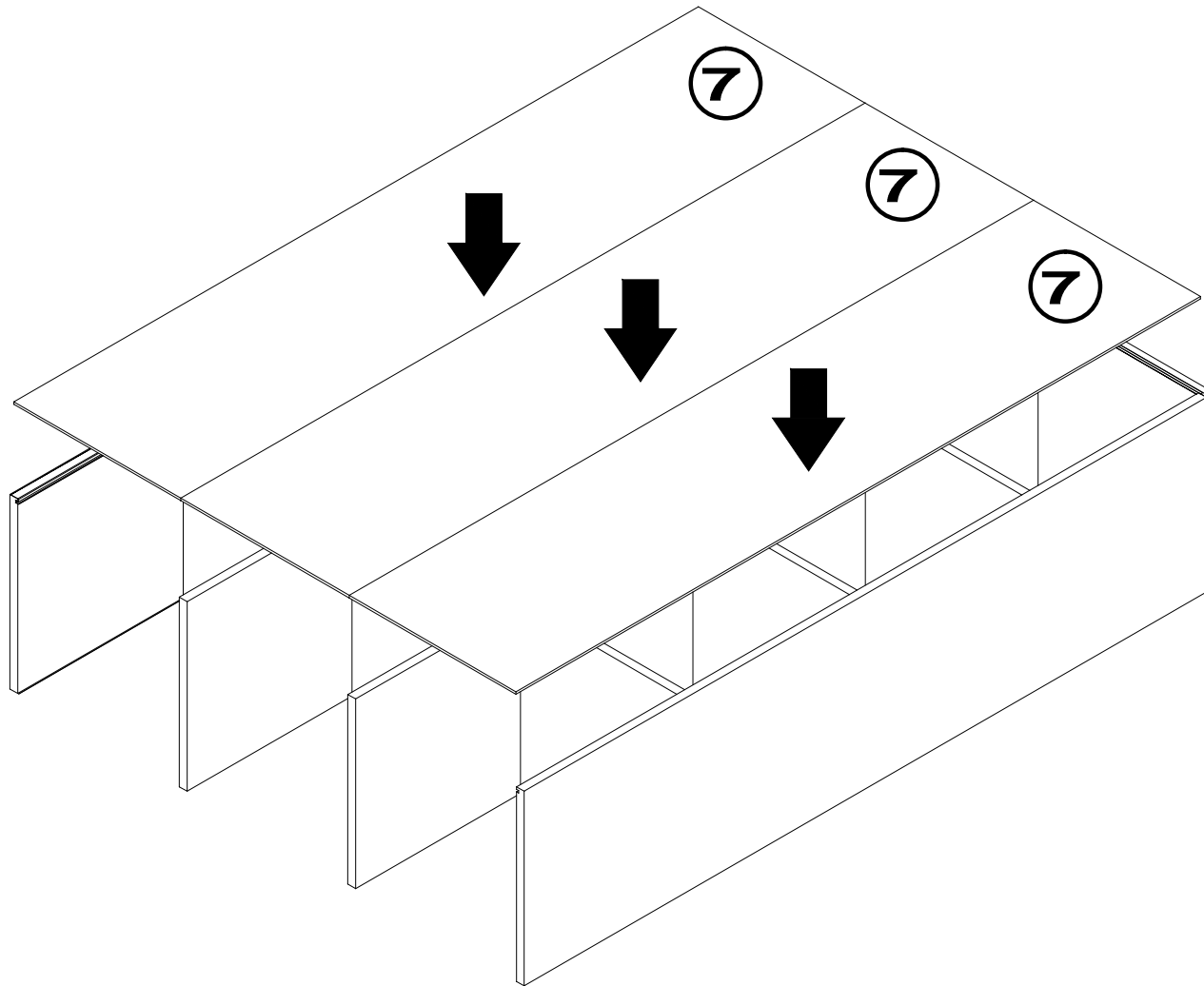
(5)



X8

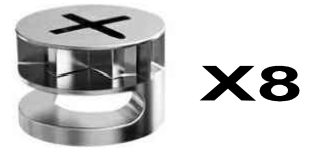
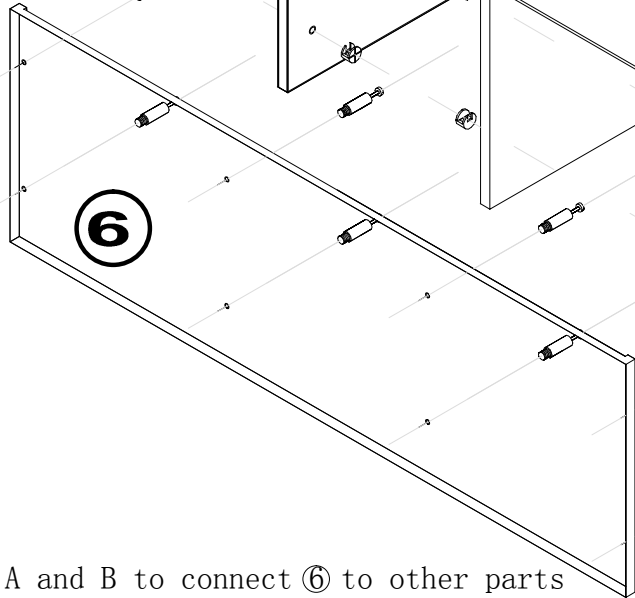
Step 5: Use A and B to connect ① to other parts

(6)



Step 6: Put the ⑦ in place

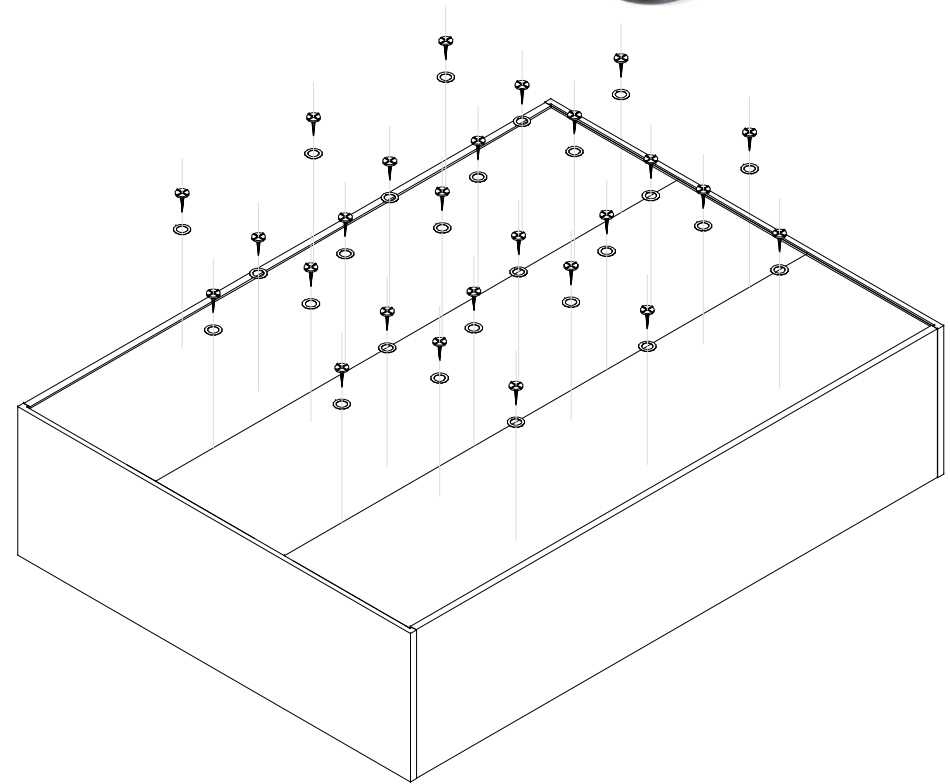
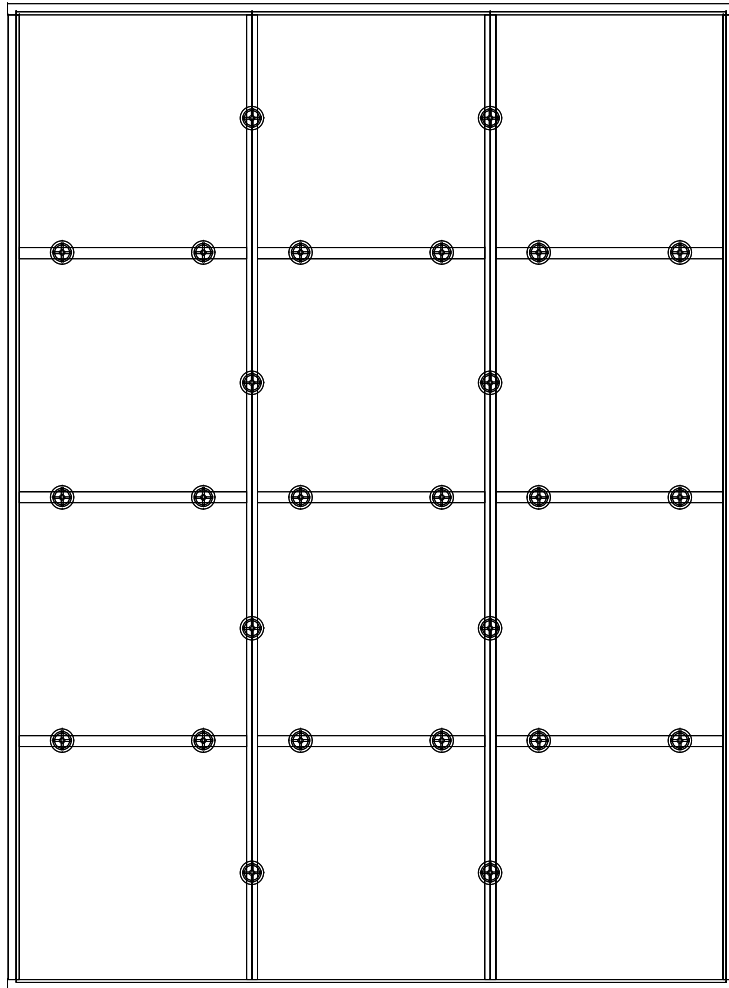
(7)



Step 7: Use A and B to connect ⑥ to other parts



(8)



Step 8: Use C and D, fix ⑦