

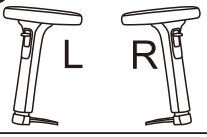
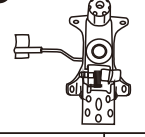
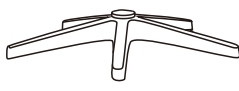
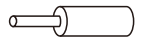
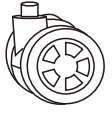
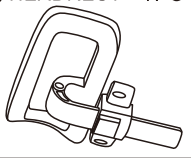
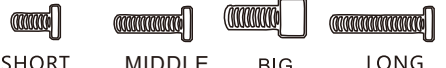


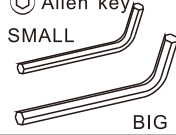


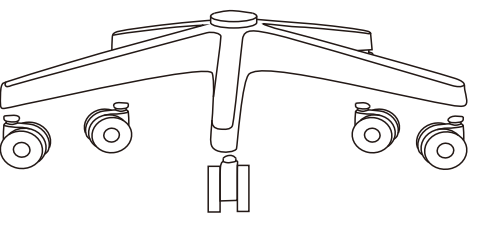
Instruction Manual B20

parts list

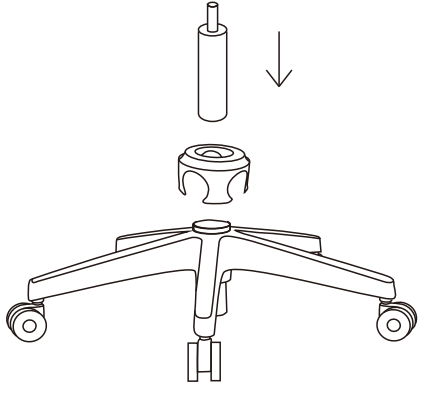
A BACK 1PC 	B SEAT 1PC 	C ARMREST 2PCS L R 	D MECHANISM 1PC 	E LEG 1PC 	F GASLIFT 1PC 
G WHEELS 5PCS 	H HEADREST 1PC 	I SCREW SHORT 4 PCS MIDDLE 6 PCS +1PC BIG 3PCS +1PC LONG 2PCS +1PC 	J COVER 1PC 	K LEG COVER 1PC 	TOOL Allen key SMALL BIG 

Installation steps

1 Press the wheels into the leg.



2 Put the leg cover and gaslift.

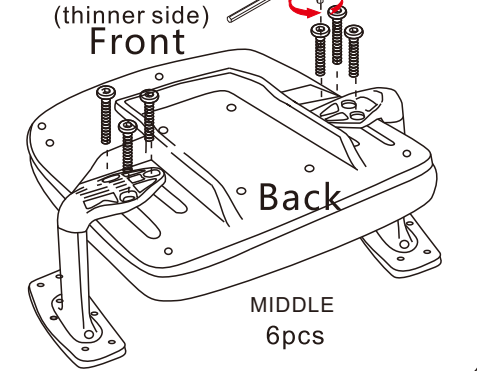


3 Use 6pcs middle screw to connect armrests to the seat.

(thinner side) Front

Back

MIDDLE 6pcs

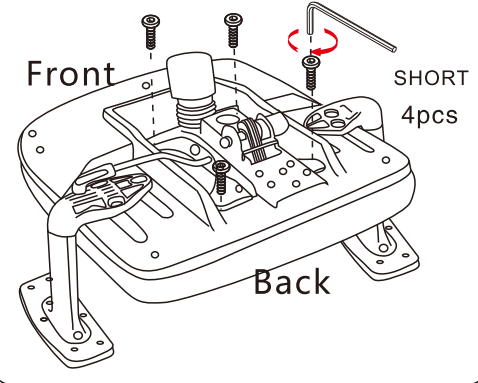


4 Use 4pcs short screw install the mechanism on the seat.

Front

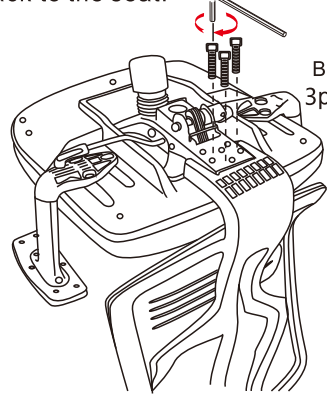
Back

SHORT 4pcs



5 Use 3pcs Big screw connect back to the seat.

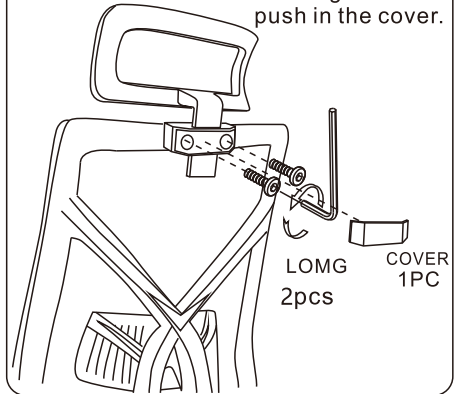
BIG 3pcs



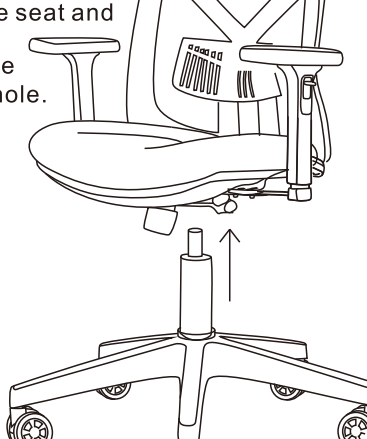
6 Tighten the long screw to connect the headrest. Insert the hanger and push in the cover.

LONG 2pcs

COVER 1PC



7 Connect the seat and gaslift. Put the gaslift into the mechanism hole.



8 finish

adjust seat height

lock and unlock tilting

