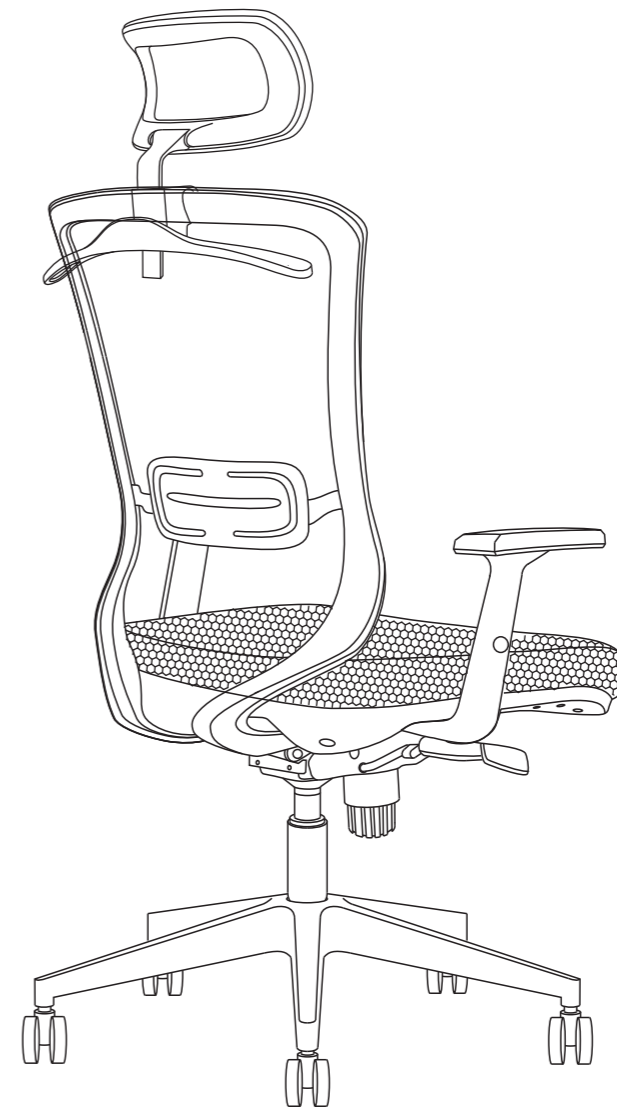


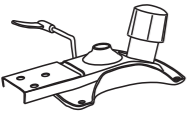


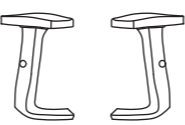
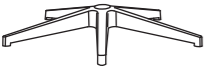













GORILLA
OFFICE



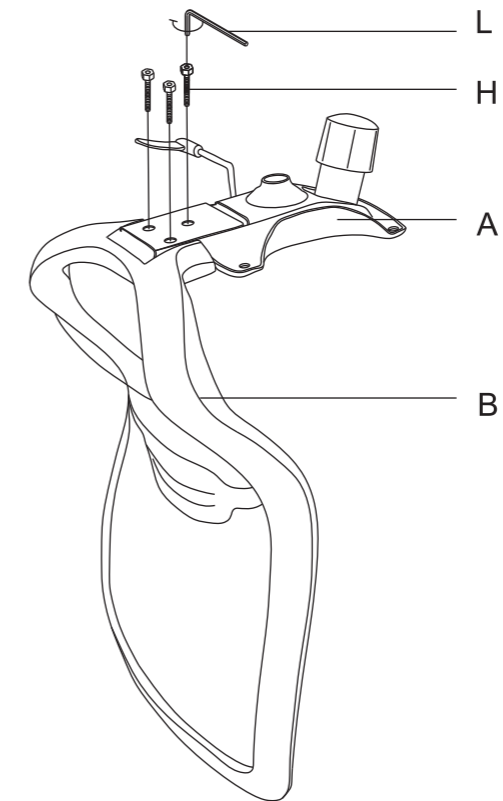
Item No. GO-ERGO-OC-BL
Installation Guide

PARTS

<p>A</p>  <p>X1</p>	<p>B</p>  <p>X1</p>	<p>C</p>  <p>X1</p>	<p>D</p>  <p>X2</p>
Mechanism	Backrest	Seat Cushion	2D PU Armrest
<p>E</p>  <p>X1</p>	<p>F</p>  <p>X1</p>	<p>G</p>  <p>X6</p>	<p>H</p>  <p>X3</p>
Nylon Base	Gas Lift	Screw M6X30mm	Screw M8X40mm
<p>I</p>  <p>X4</p>	<p>J</p>  <p>X4</p>	<p>K</p>  <p>X5</p>	<p>L</p>  <p>X1</p>
Screw M6X20mm	Gasket	Nylon Wheel	L Shape Wrench
<p>O</p>  <p>X1</p>	<p>P</p>  <p>X1</p>	<p>Q</p>  <p>X1</p>	<p>R</p>  <p>X2</p>
Headrest	Gasket	Clothes Hanger	Screw M5X35mm

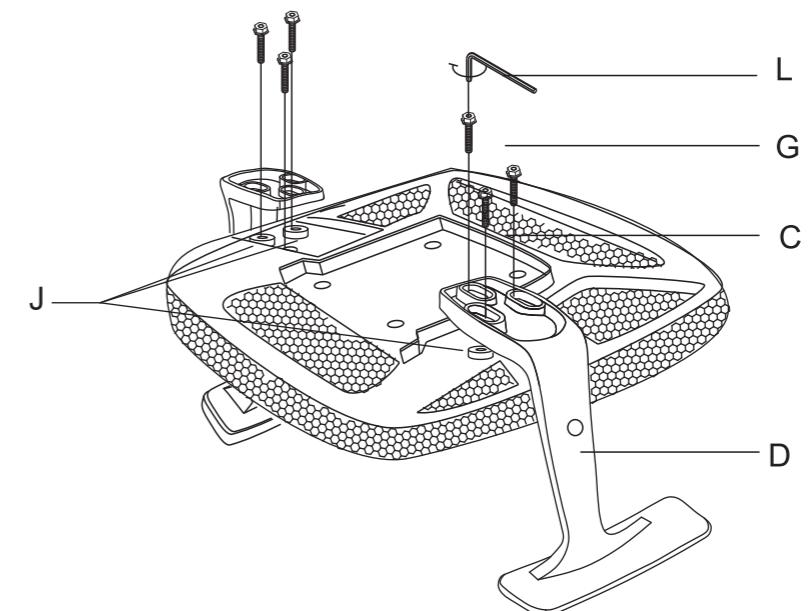
Step 1: Installing Backrest

Connect Mechanism (A) to the Backrest (B) using three screws (H).



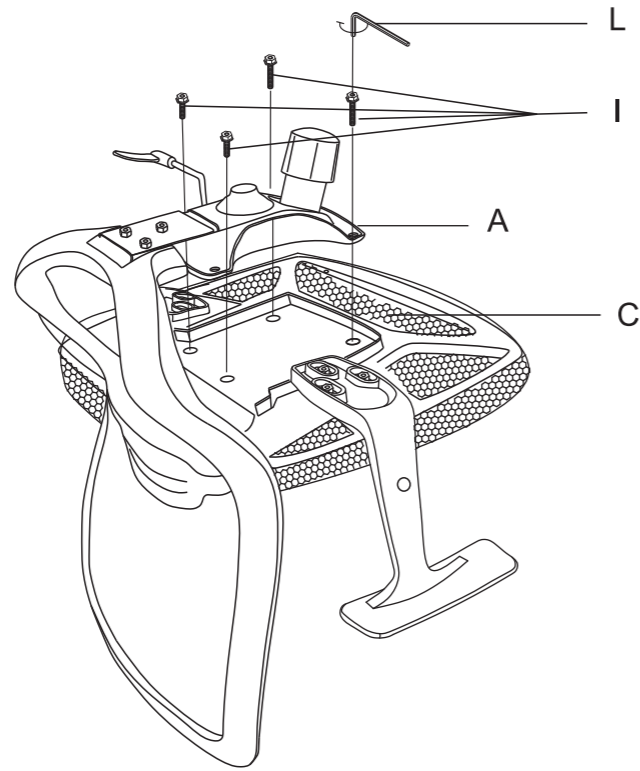
Step 2: Installing Armrest to Seat Cushion

Connect 2D PU Armrest (D) to the Seat cushion (C) using 6 pcs screws (G).

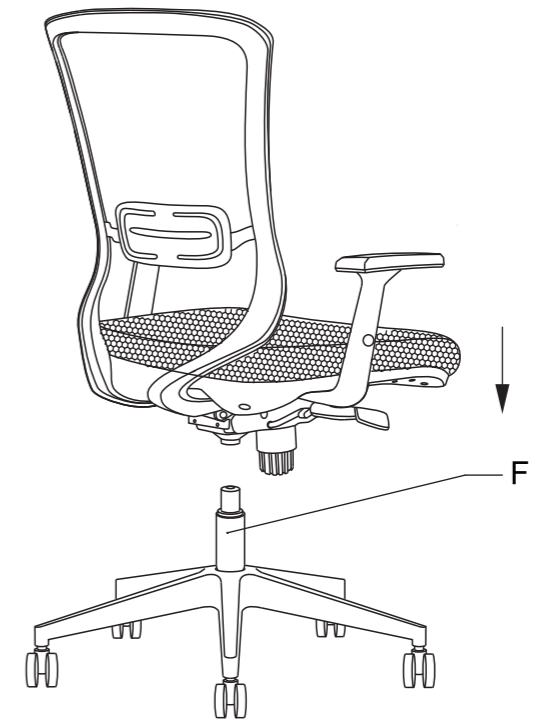


Step 3: Attaching Backrest to Seat Cushion

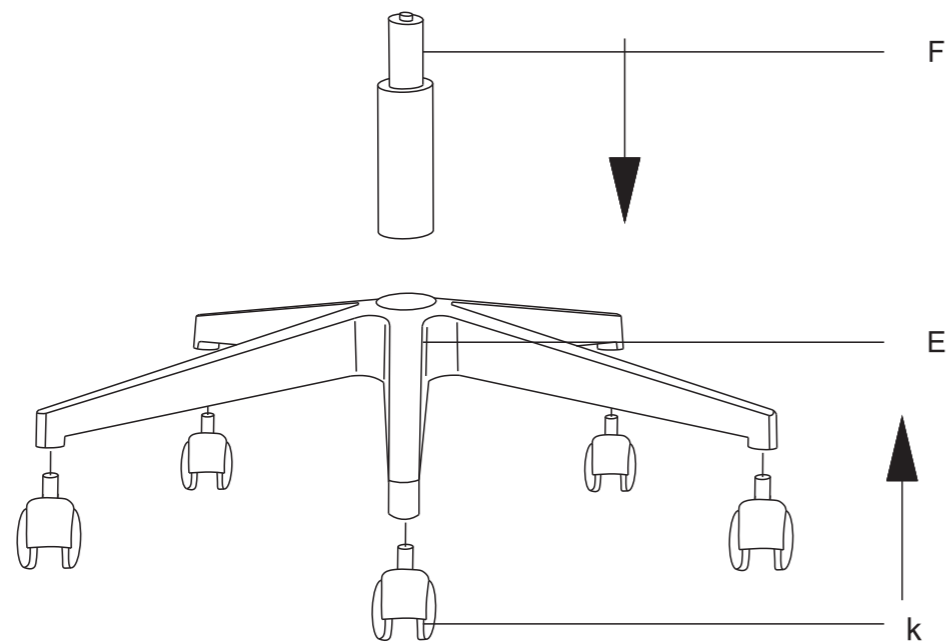
Connect the Mechanism (A) to the seat cushion (C) using four screws (I).



Step 5: Installing the Chair Body on the Gas Lift F



Step 4: Installing Gas Lift and Wheels to Nylon Base



Step 6: Installing Headrest and Clothes Hanger

Attaching the headrest (O) to the backrest (B), then attaching the gasket (P) and clothes hanger (Q) to it using 2 screw (R) as shown below.

