

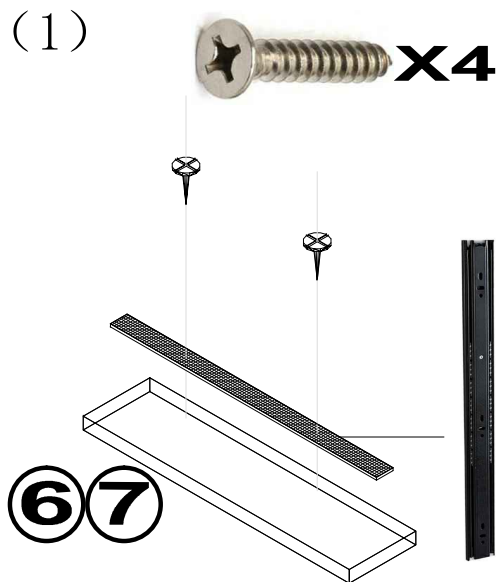
A:  X42

B:  X42

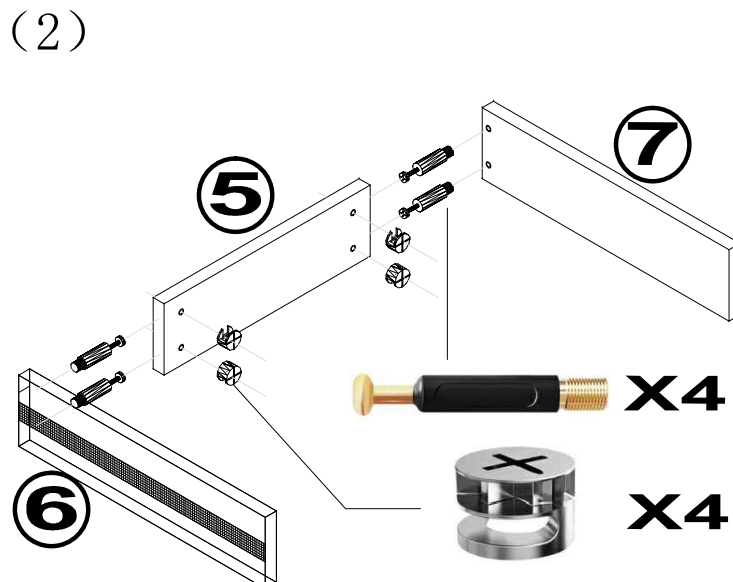
C:  X24

D:  X6

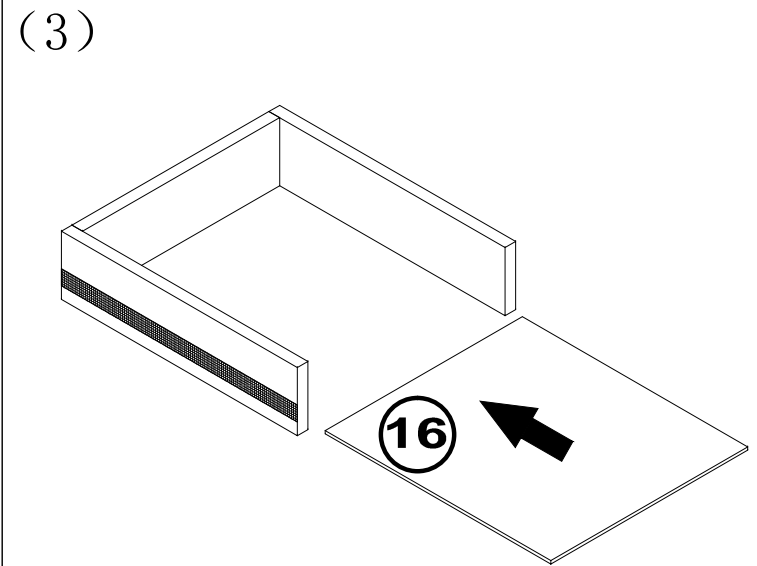
D:  X10



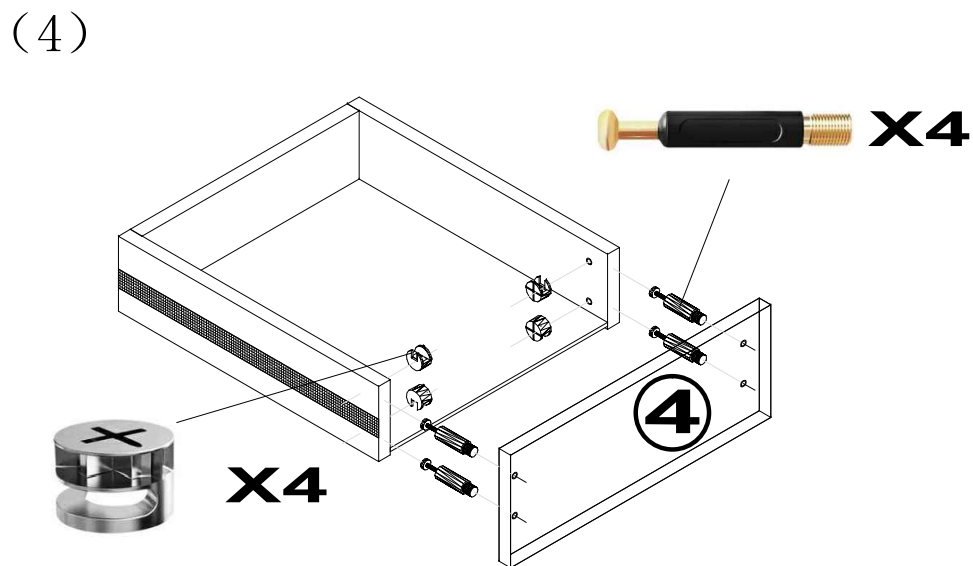
Step 1: Fix the slides at ⑥ and ⑦



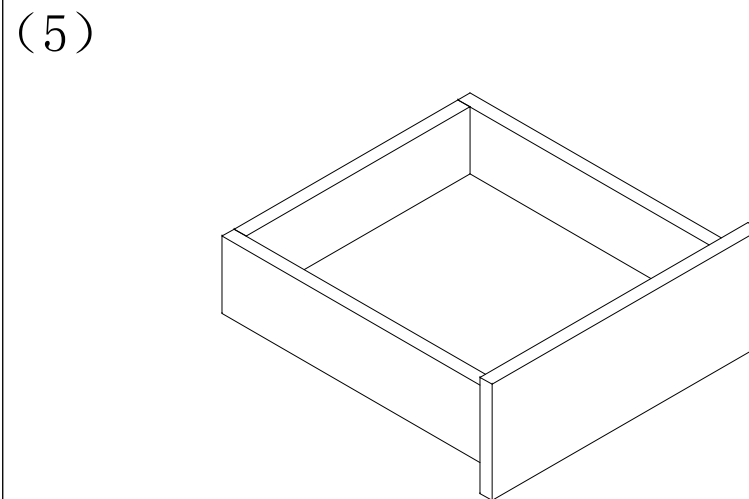
Step 2: Use A and B to connect ⑤ ⑥ ⑦



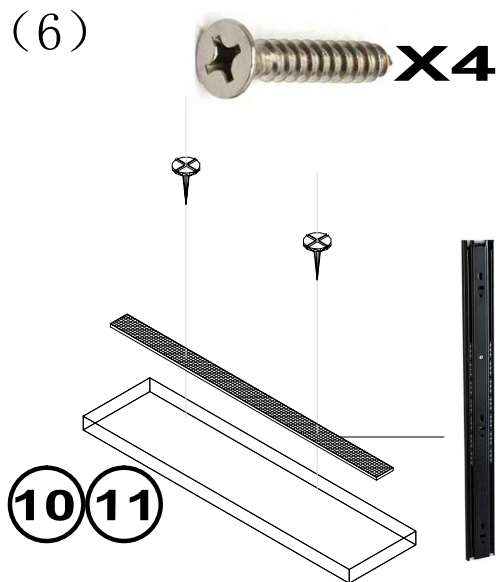
Step 3: Load ⑯



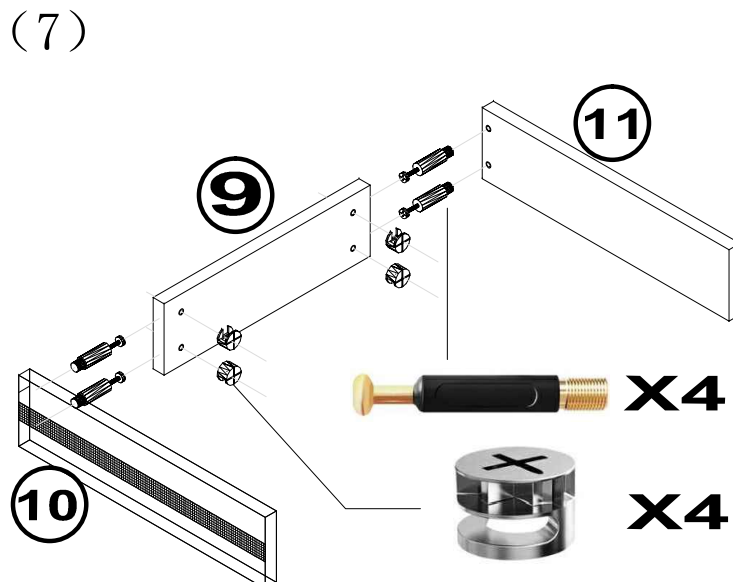
Step 4: Use A and B to connect ④ with other parts



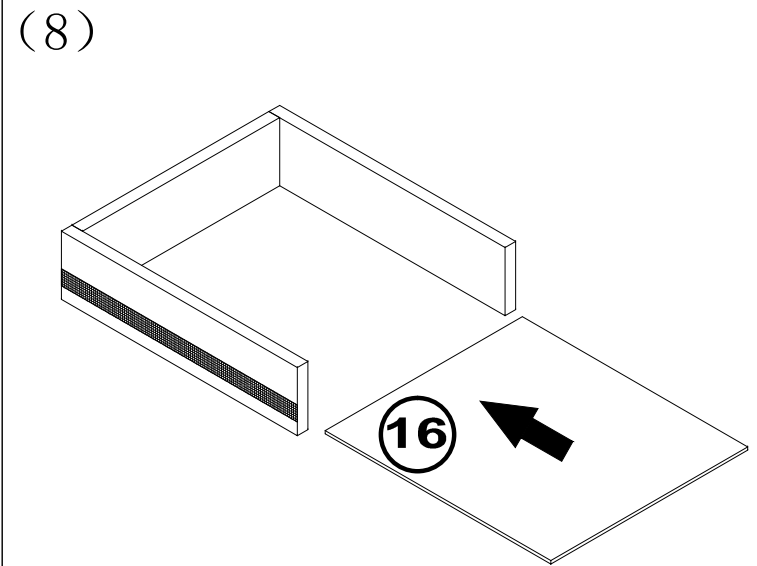
Step 5: Drawer installation is complete



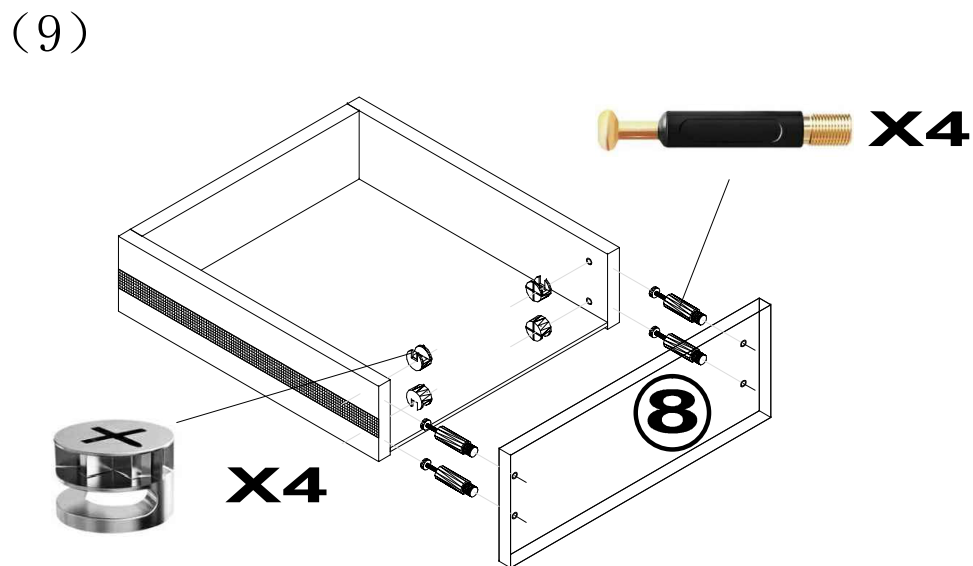
Step 6: Fix the slides at ⑩ and ⑪



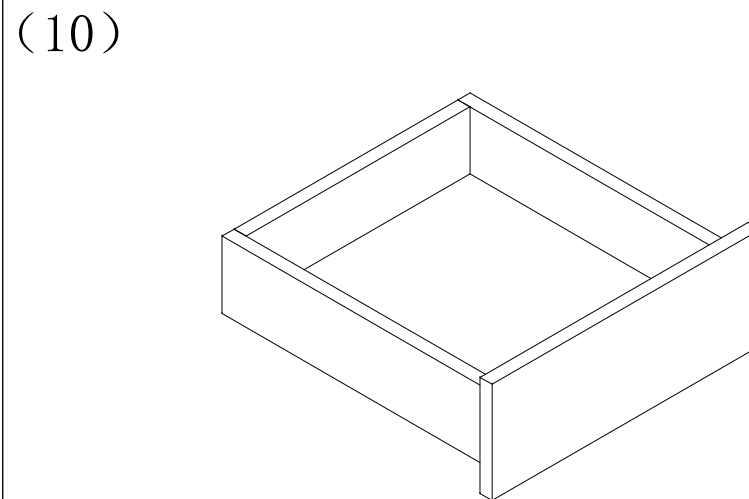
Step 7: Use A and B to connect ⑨ ⑩ ⑪



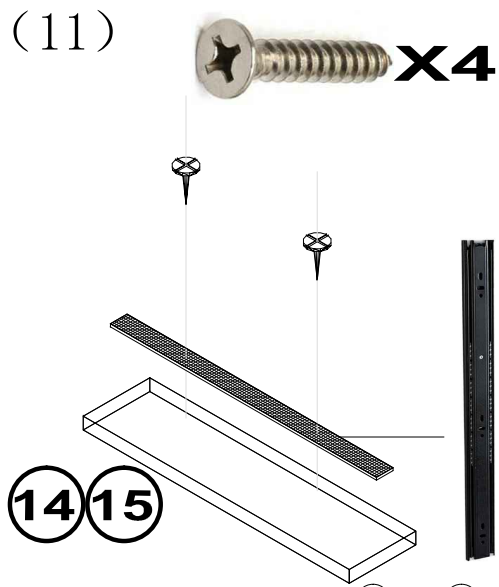
Step 8: Load ⑯



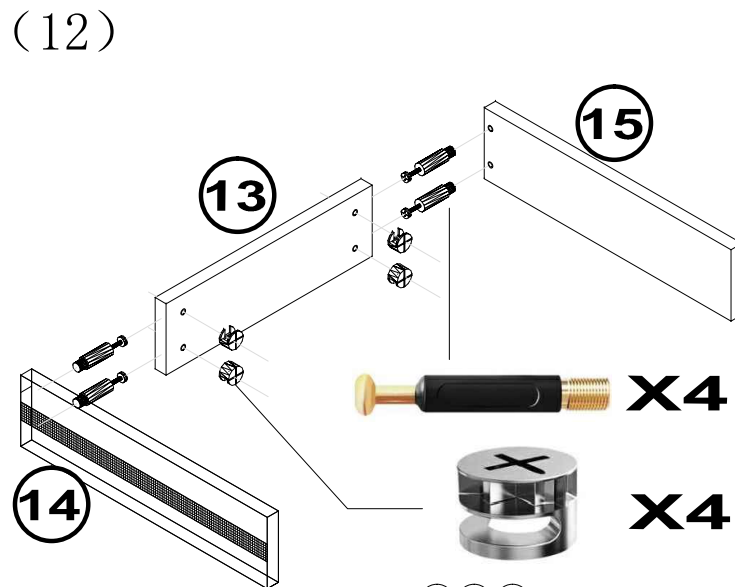
Step 9: Use A and B to connect ⑧ with other parts



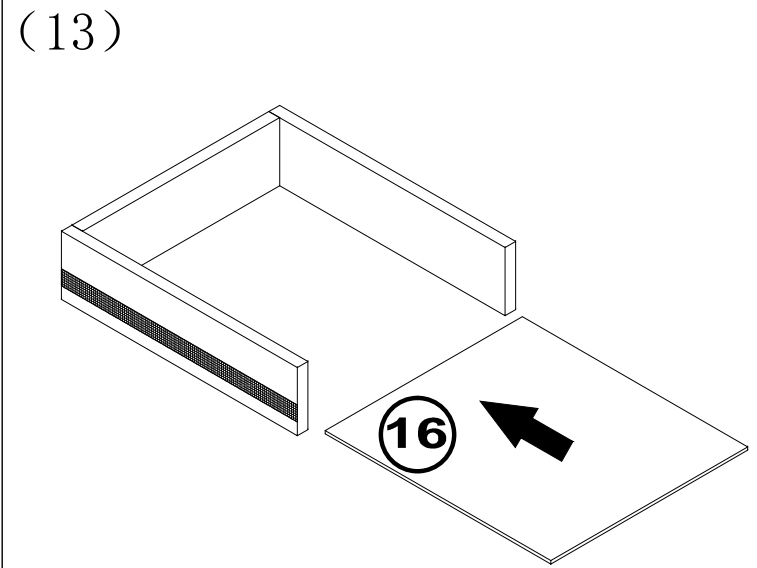
Step 10: Drawer installation is complete



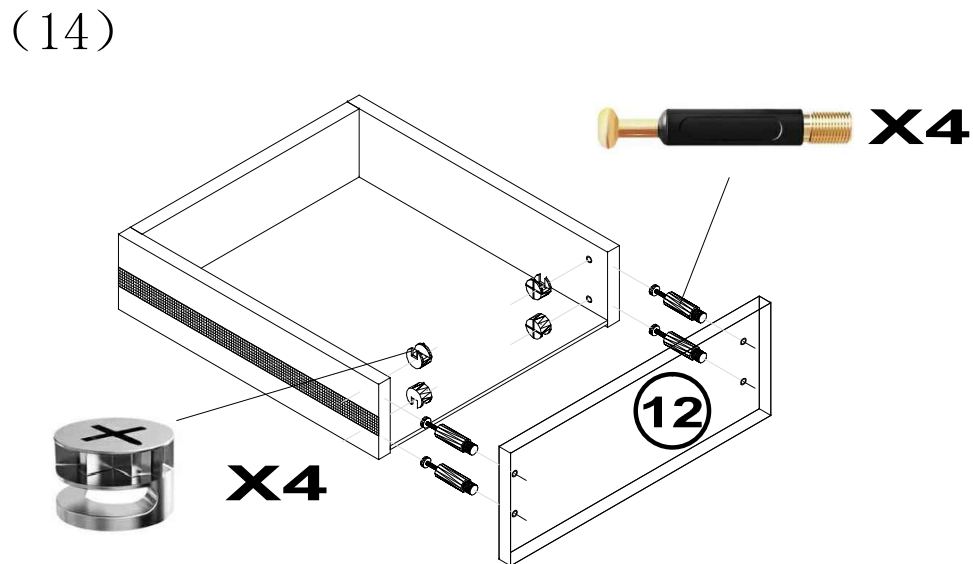
Step 11: Fix the slides at (14) and (15)



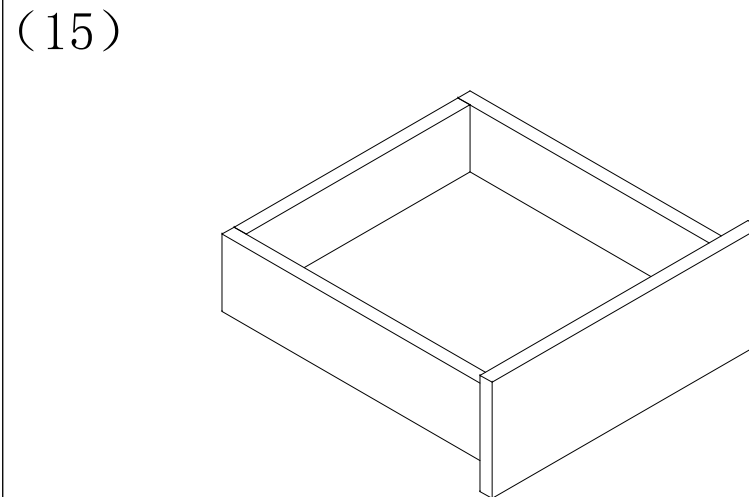
Step 12: Use A and B to connect (13)(14)(15)



Step 13: Load (16)

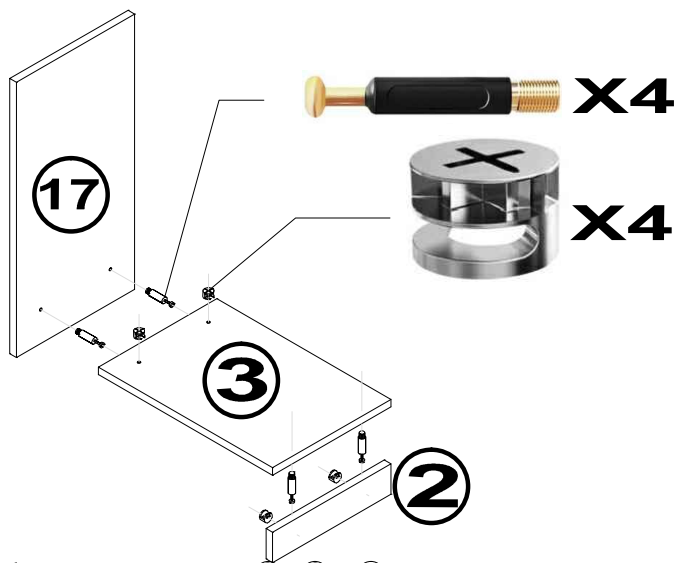


Step 14: Use A and B to connect (12) with other parts



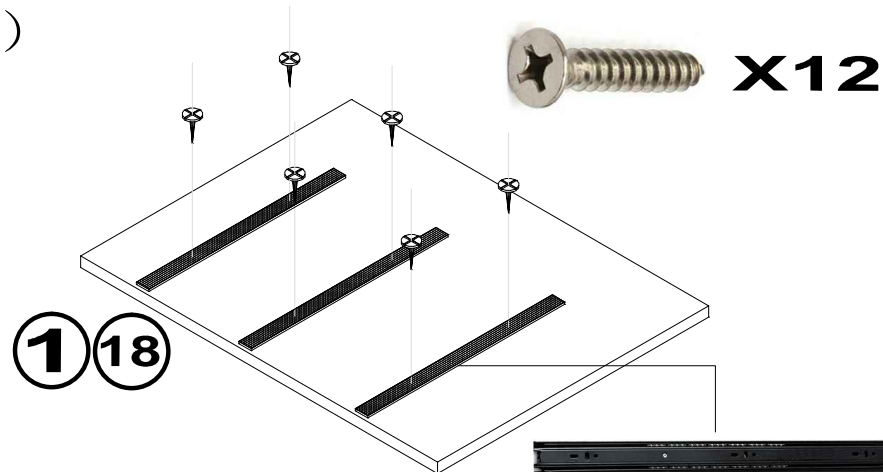
Step 15: Drawer installation is complete

(16)



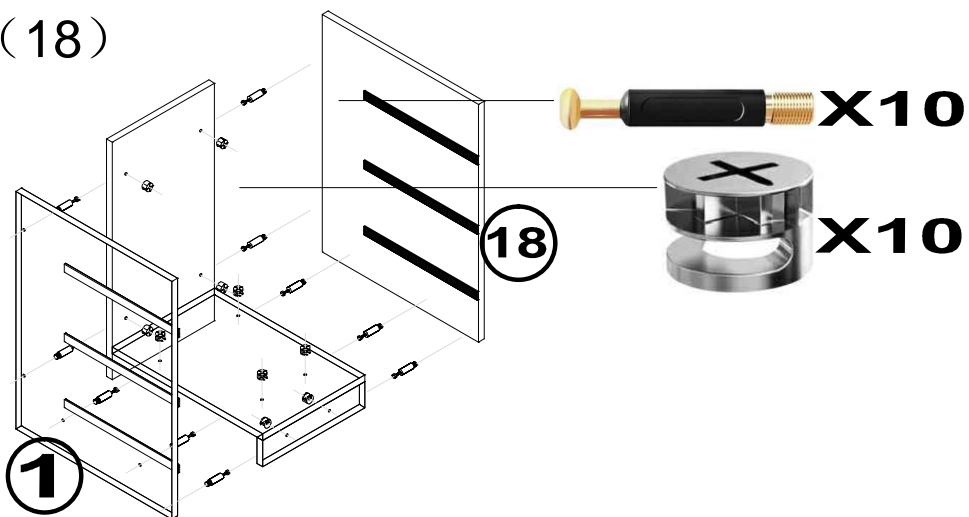
Step 16: Use A and B to connect ② ③ ⑰

(17)



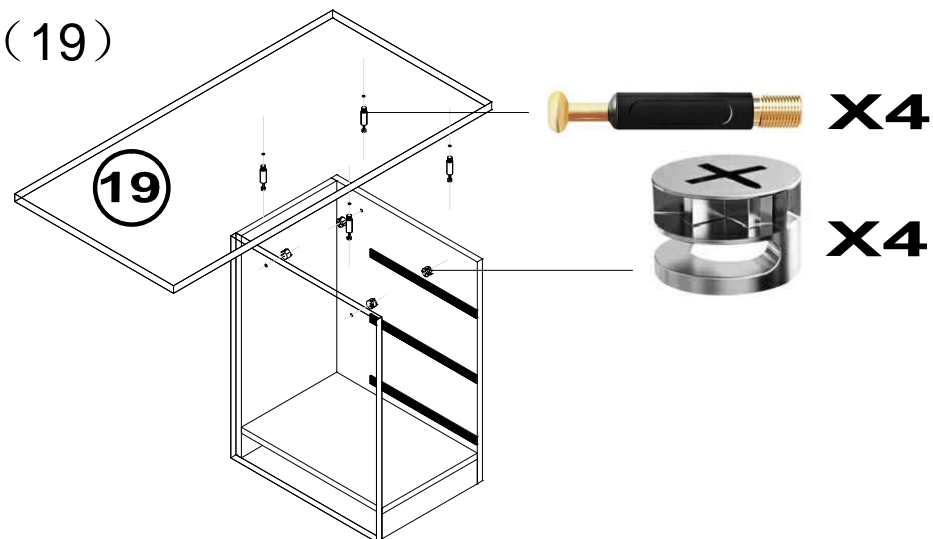
Step 17: Using C, fix D at ① and ⑱

(18)



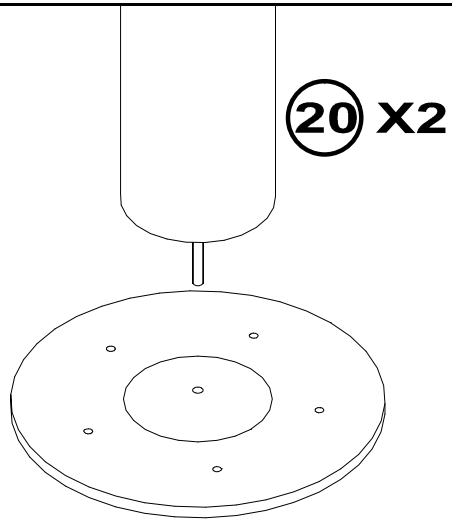
Step 18: Use A and B to connect ① and ⑱ to other parts

(19)



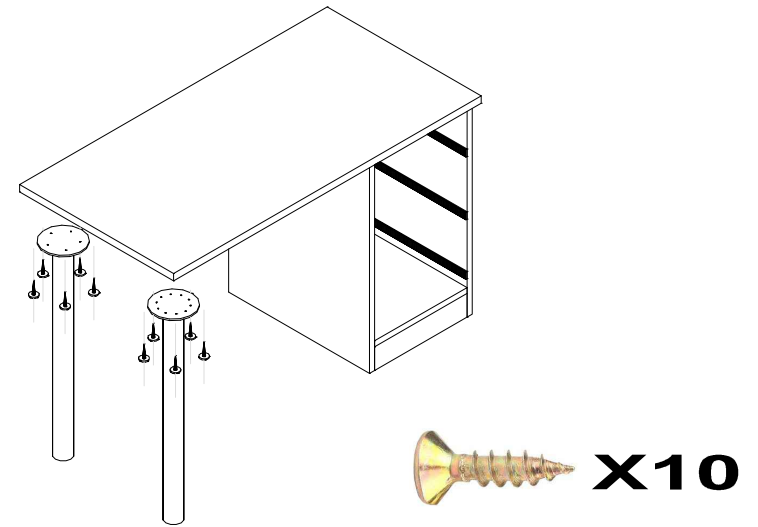
Step 19: Use A and B to connect ⑱ to other parts

(20)



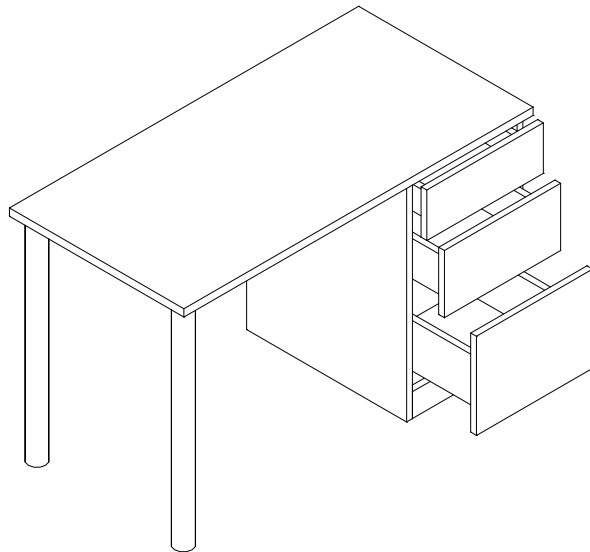
Step 20: Assemble ⑳ parts, insert and rotate

(21)



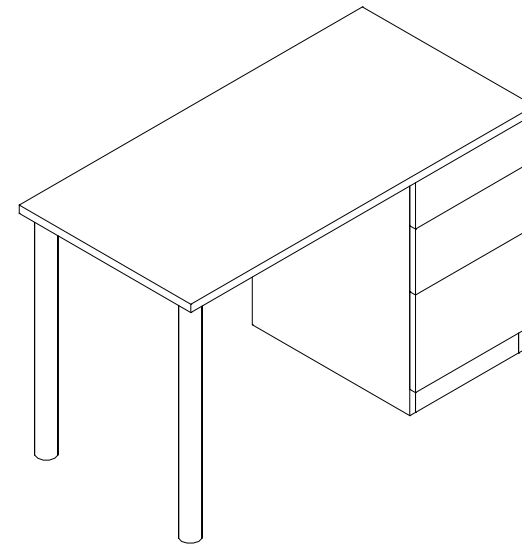
Step 21: Use C to fix ㉑ to ㉒

(22)



Step 22: Step 5: Install the drawer

(23)



Step 23: Step 5: Complete the installation