

A:  X20

B:  X20

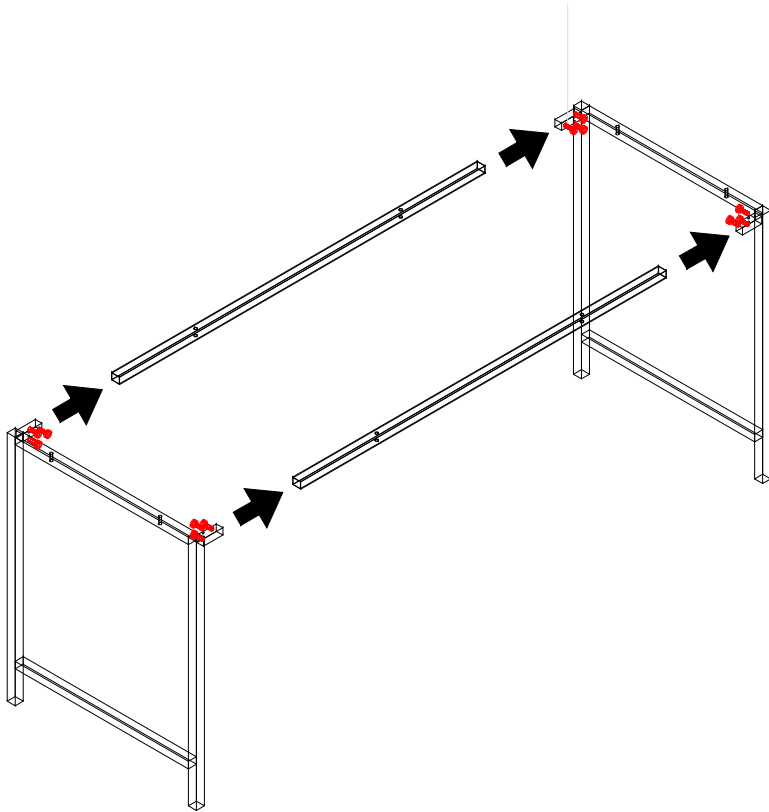
C:  X8

D:  X12

E:  X4

(1)

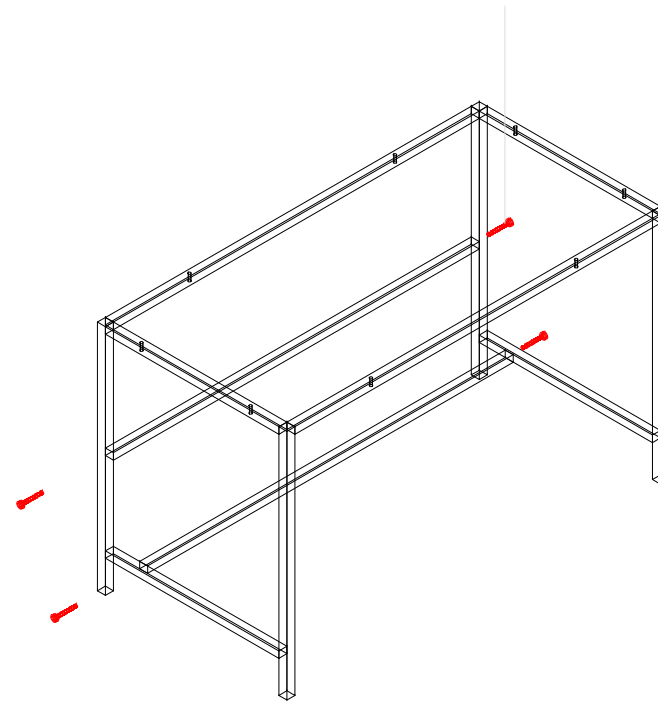
D:  X12



Step 1: Use D to connect steel parts

(2)

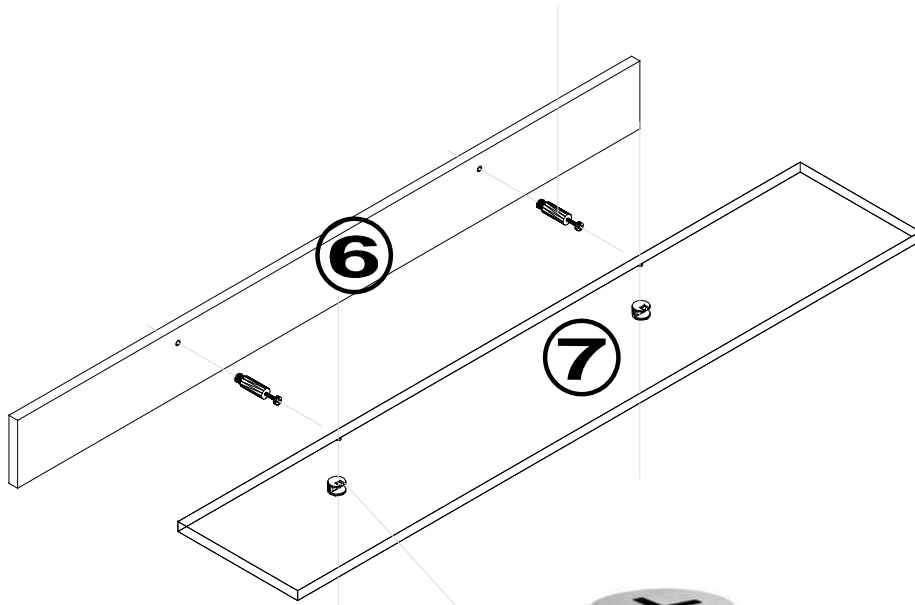
E:  X4



Step 2: Use E to connect steel parts

(3)

A:  X2

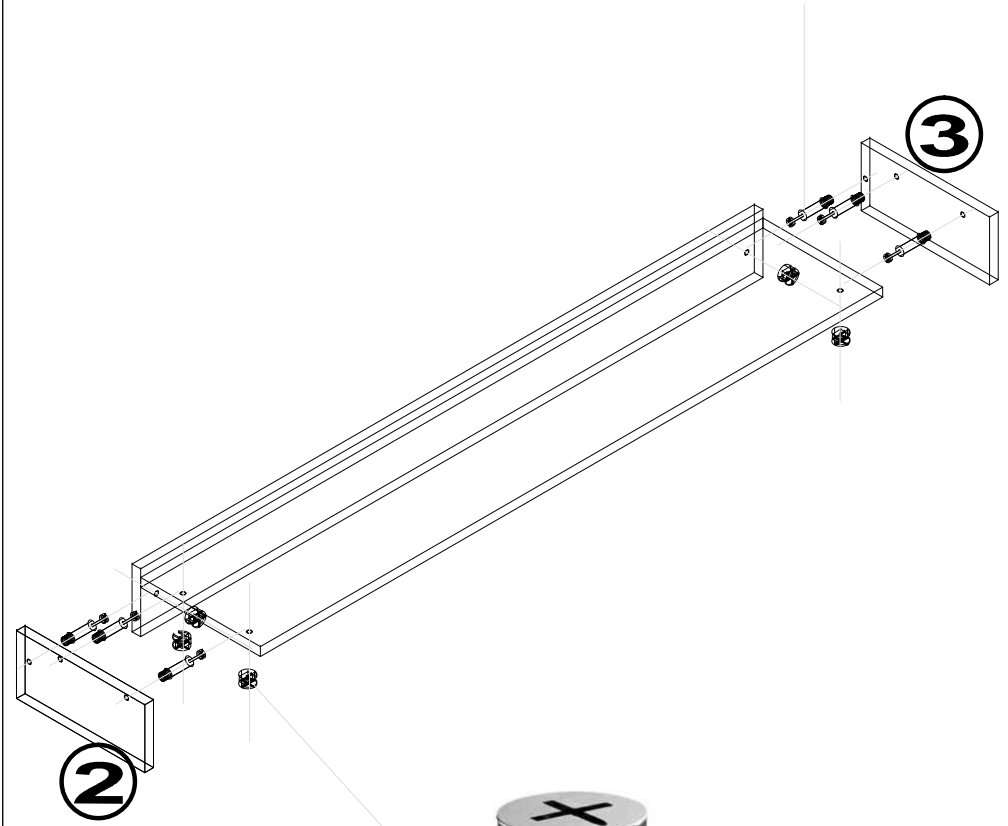


B:  X2

Step 3: First use A to connect parts 6 and 7,
then use B to lock

(4)

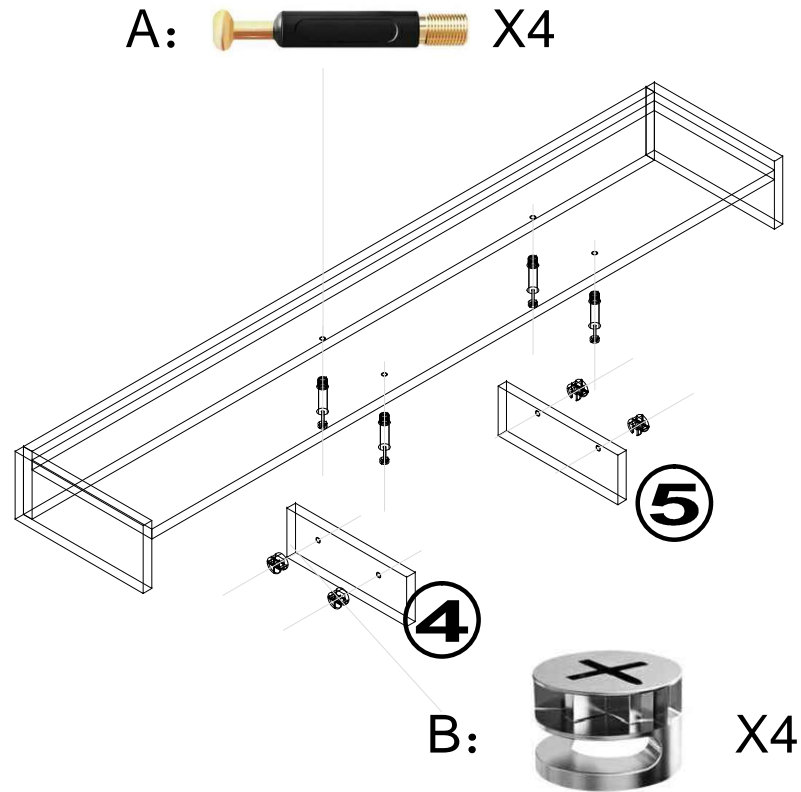
A:  X6



B:  X6

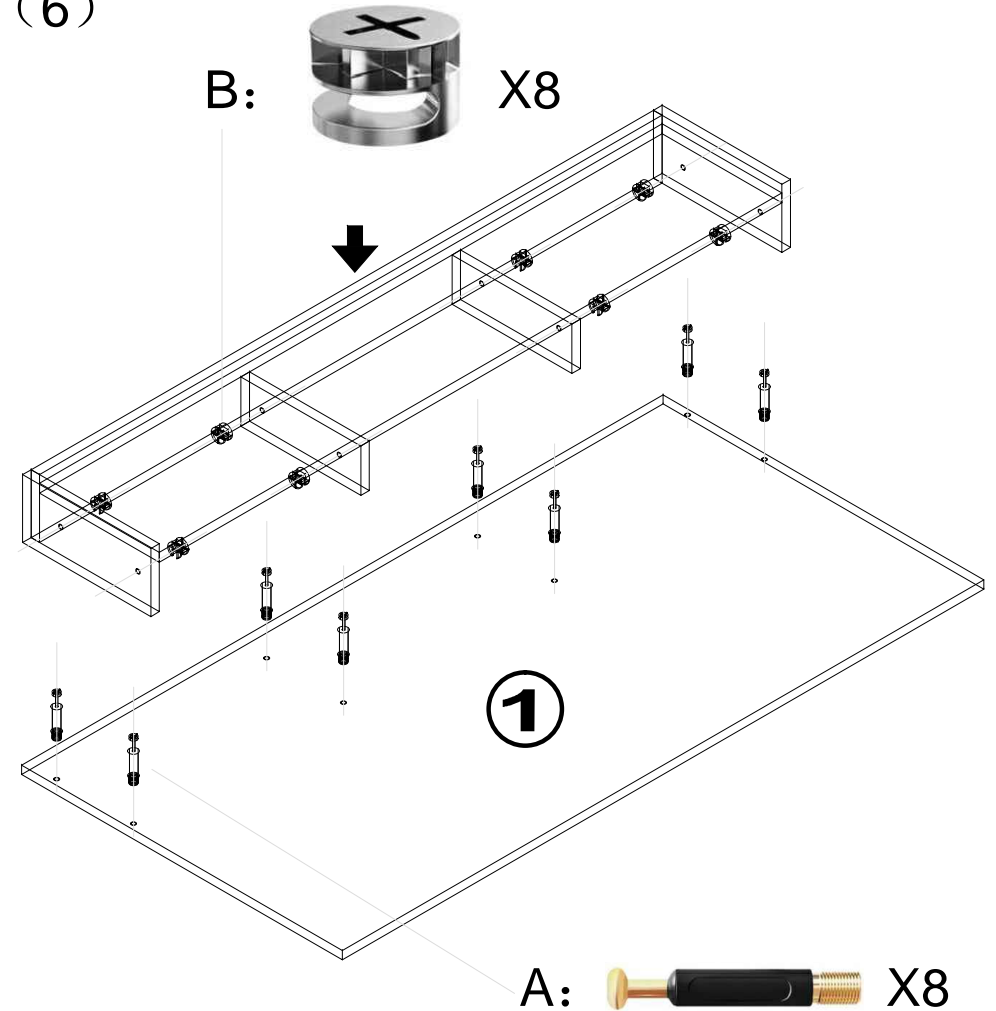
Step 4: First use A to connect parts 2 and 3,
then use B to lock

(5)



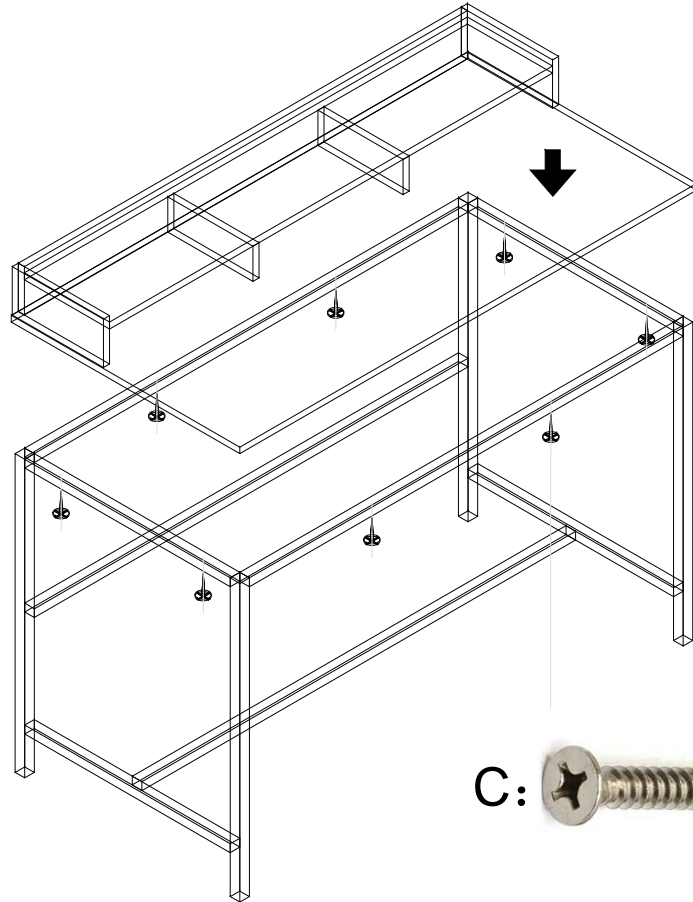
Step 5: First use A to connect parts 4 and 5,
then use B to lock

(6)



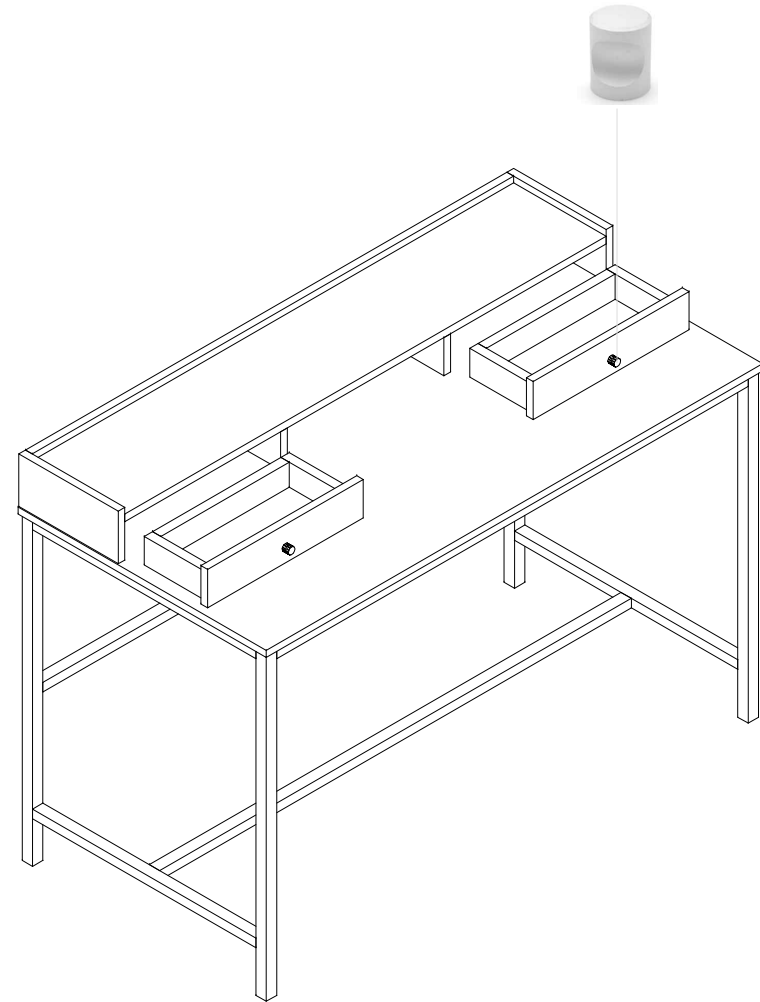
Step 6: First use A to connect parts 1,
then use B to lock

(7)



Step 7: Use C to connect related parts

(8)



Step 8: Install the drawer handle, install it into the drawer, and complete the installation.