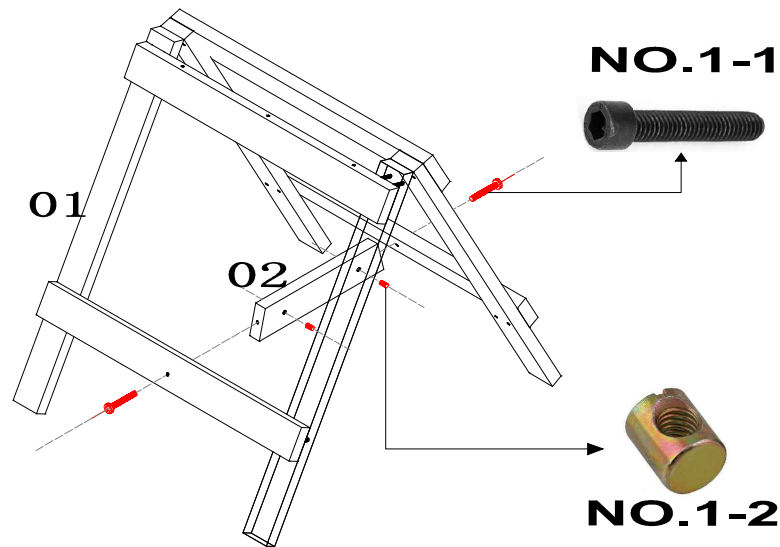
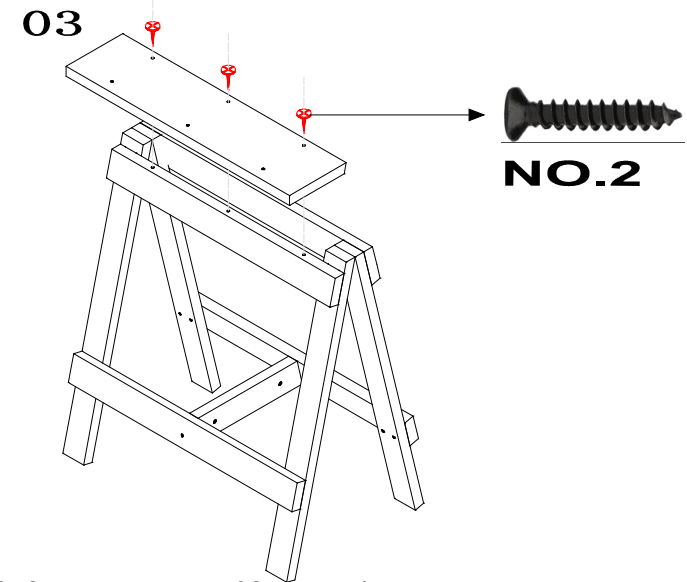


(1)



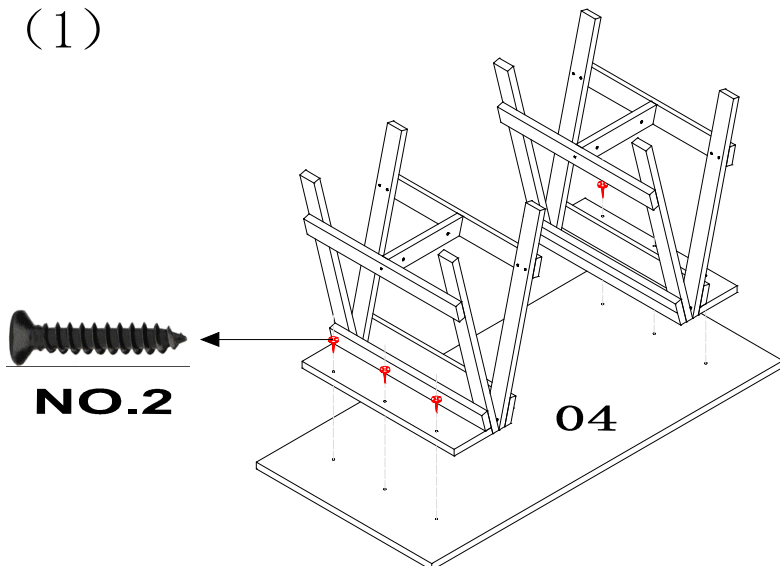
Step 1: Use NO.1 to connect 01-02 panels.

(2)



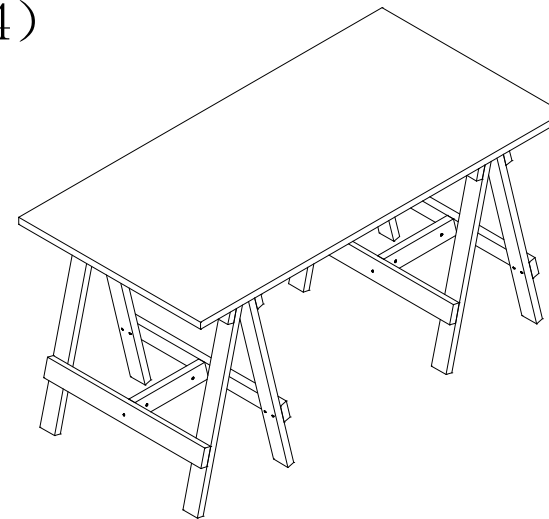
Step 2: Use NO.2 to connect 03 to other parts.

(1)



Step 3: Use NO.2 to connect 04 to other parts.

(4)



Step 4: finish installation.

Installation Manual

● NO.1  X4

● NO.2  X12