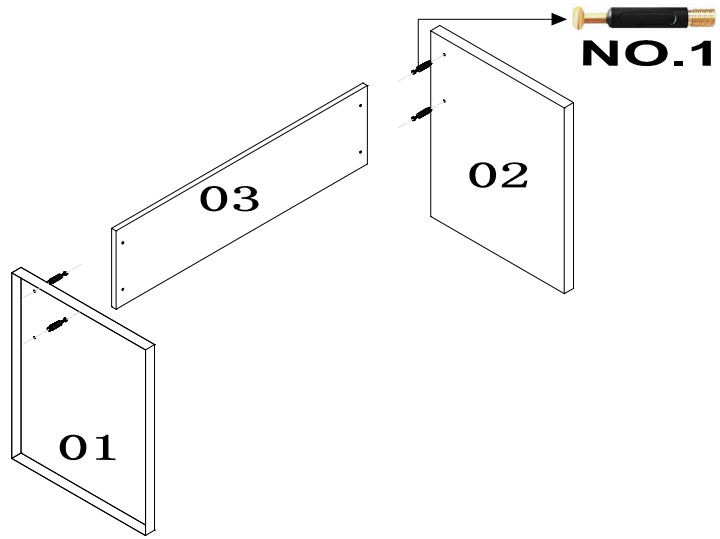
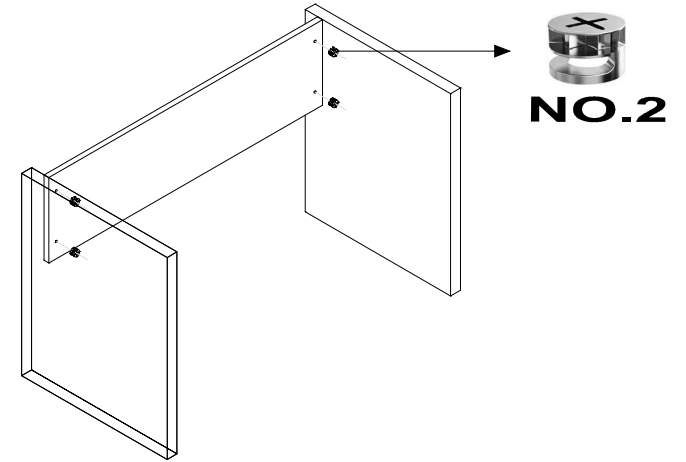


(1)

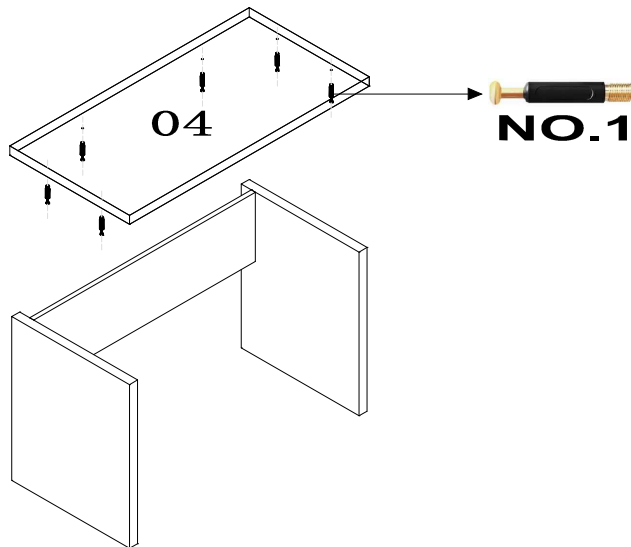


Step 1: Use NO.1 to connect 01-02-03 panels.

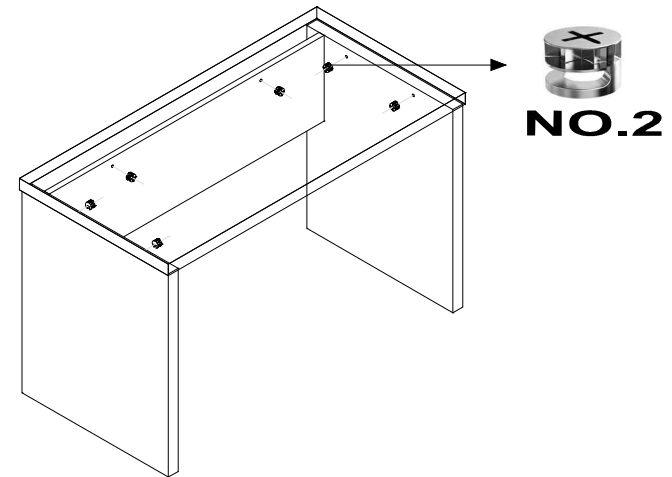
(2)



Step 2: Use NO.2 to fix 01-02-03 parts.



Step 3: Use NO.1 to connect 04 with other parts.



Step 4: Use NO.2 to fix 04 with other parts and complete the installation.

**Installation Manual**

● NO.1  X10

● NO.2  X10

**1/1**