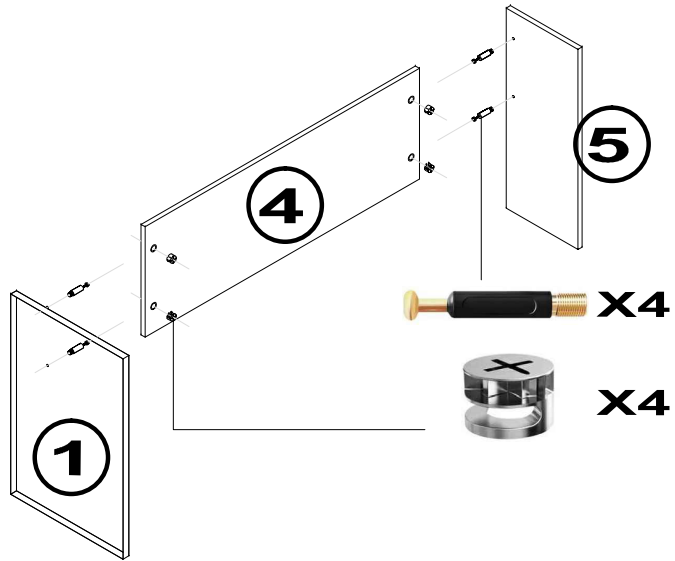


A:  X16

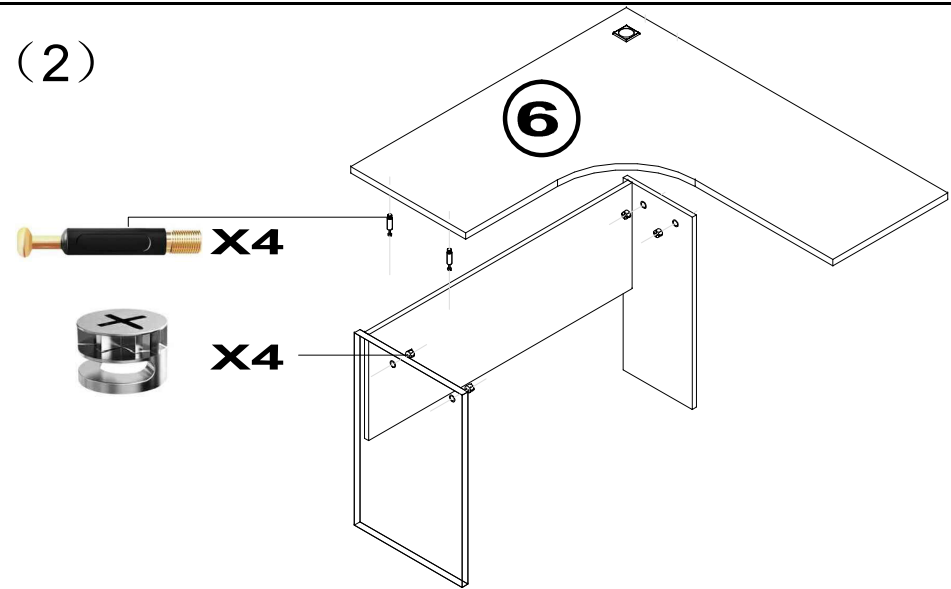
B:  X16

(1)



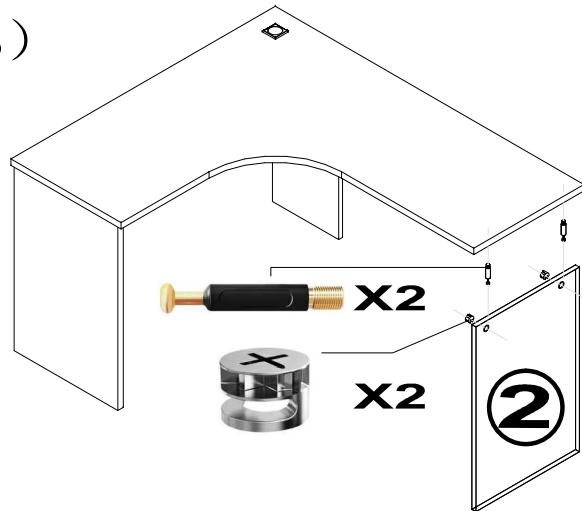
Step 1: Use A and B, connect ① and ④ and ⑤

(2)



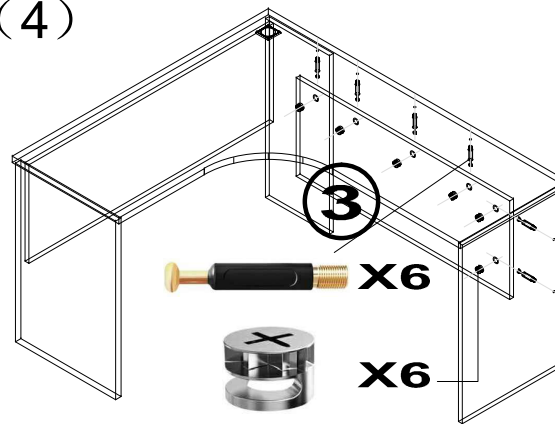
Step 4: Use A and B to connect ⑥ to other parts

(3)



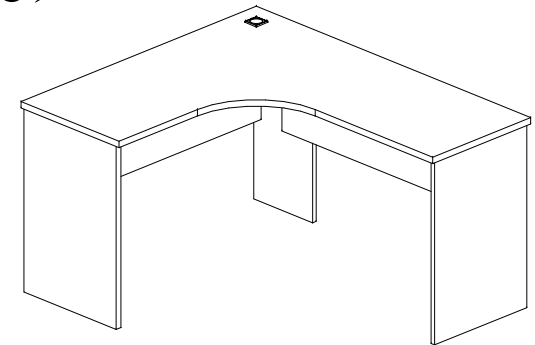
Step 4: Use A and B to connect ② to other parts

(4)



Step 4: Use A and B to connect ③ to other parts

(5)



Step 5: finish installation